

**Focus on measuring,
not fixturing.**

ZEISS Vise



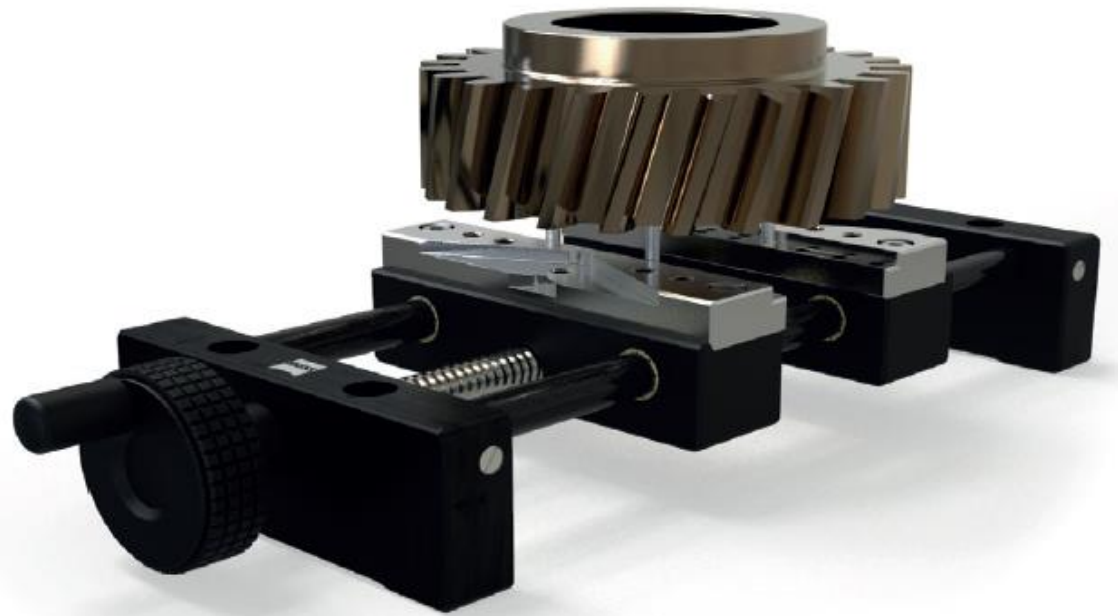
ZEISS Vise

Clever clamping.

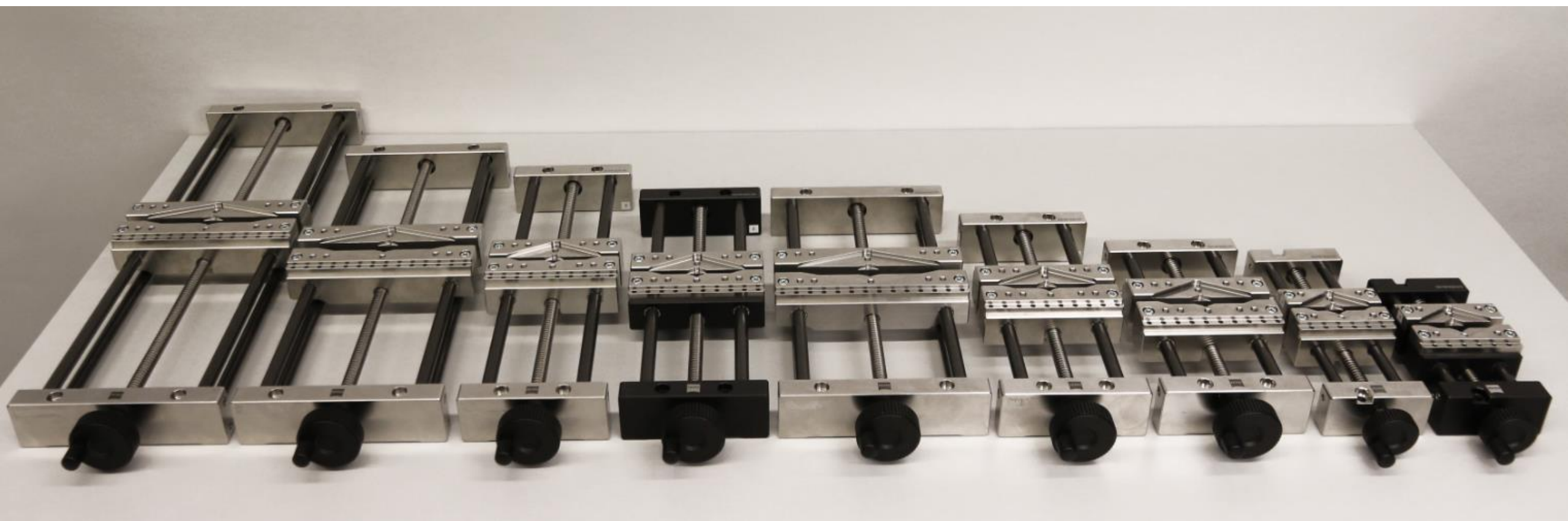
Developed by metrologists for metrologists. With the centric vise, you can easily clamp workpieces of various geometries. Thanks to interchangeable jaws and pins, you get optimum accessibility to your workpiece.

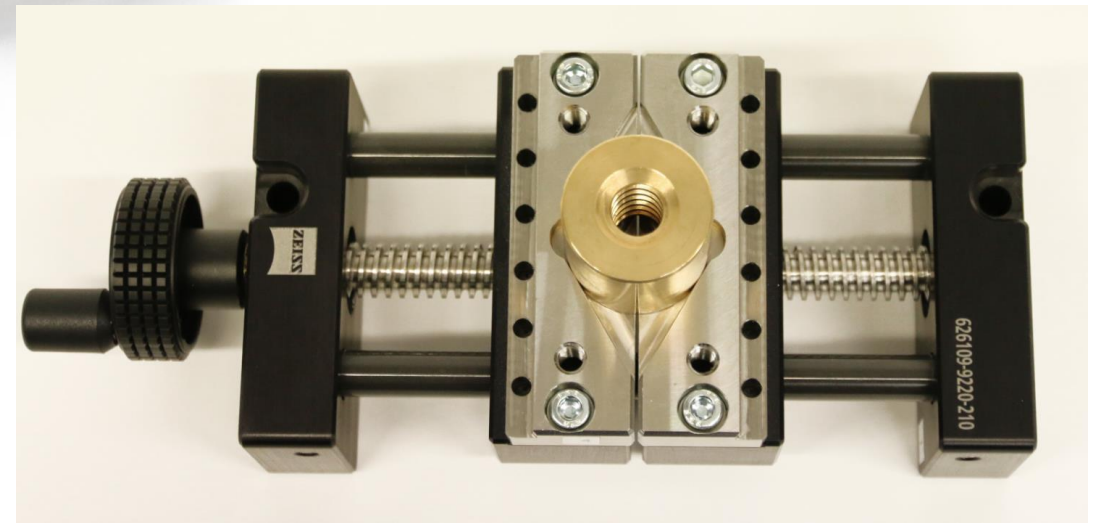
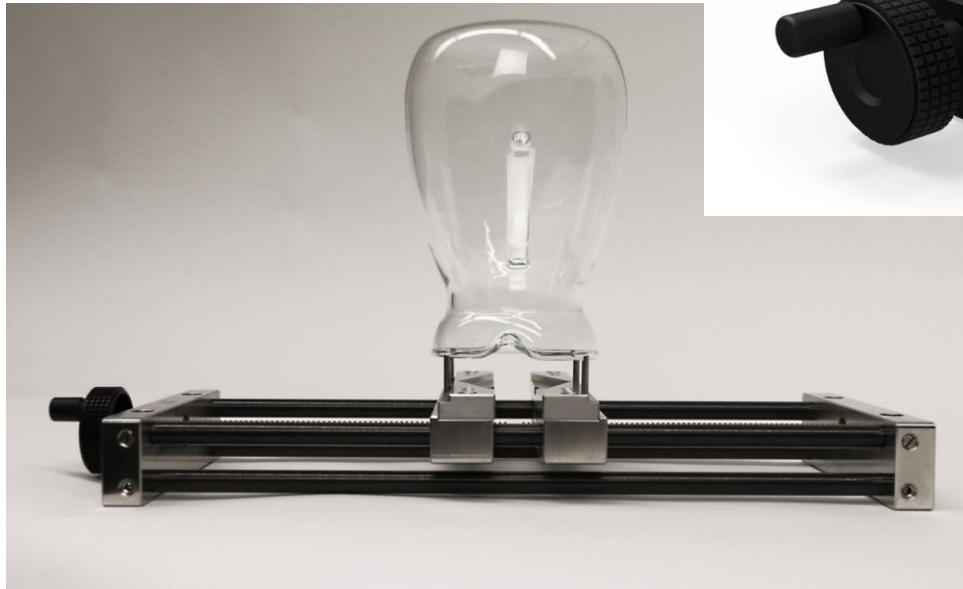
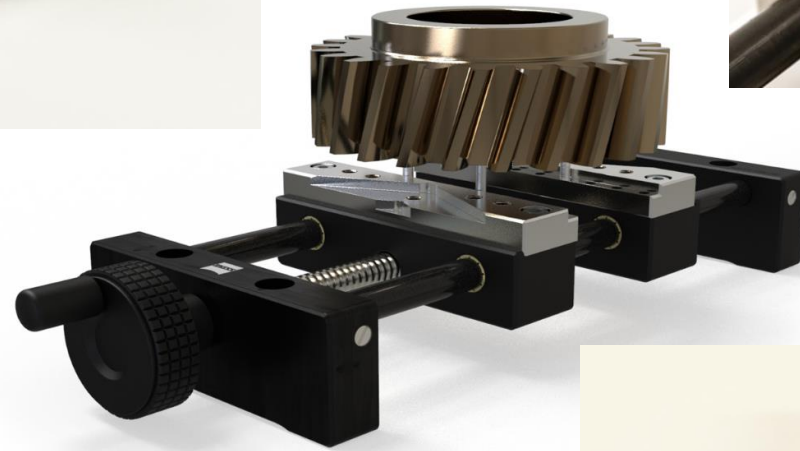
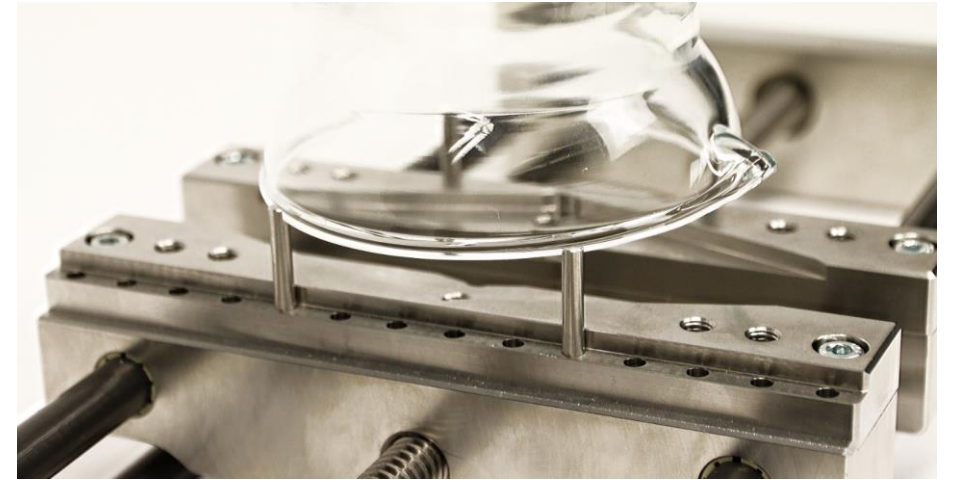


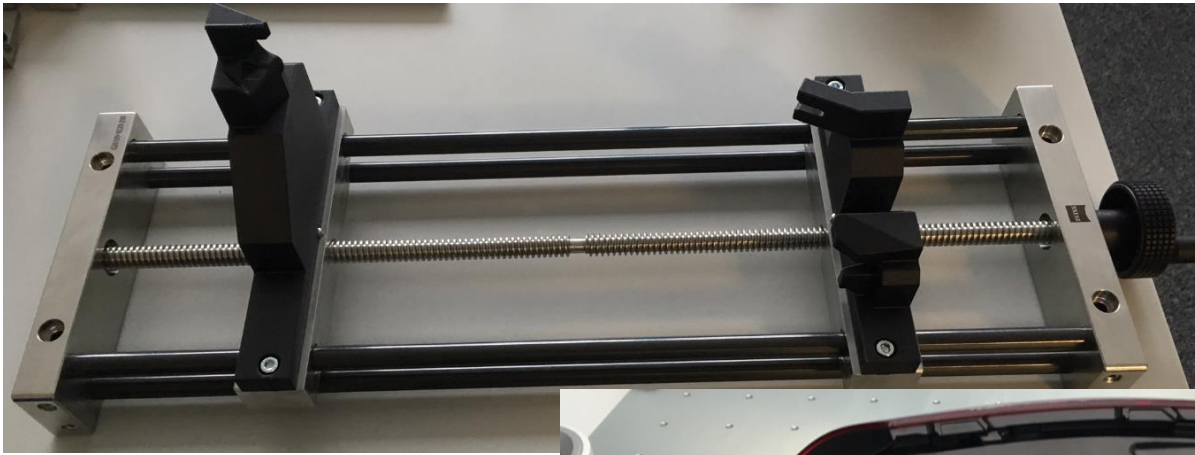
- Light weight and high stability at the same time
- Designed for optimal accessibility
- Central clamping
- Fits your ZEISS systems

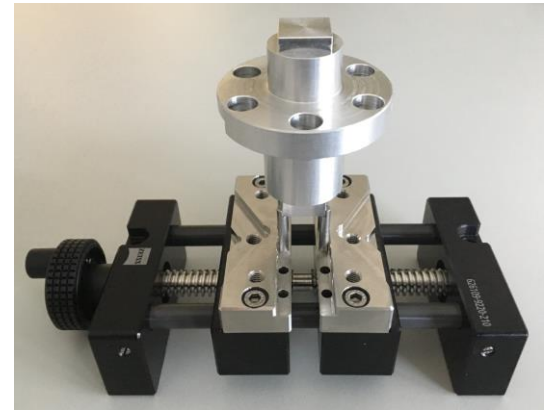
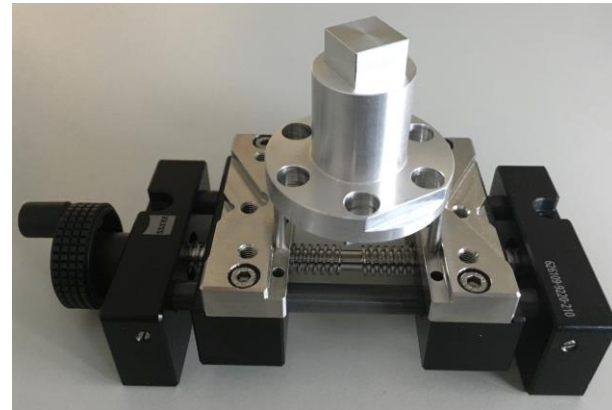
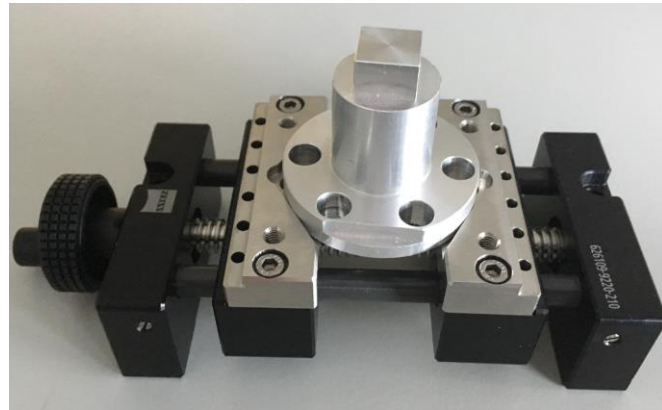
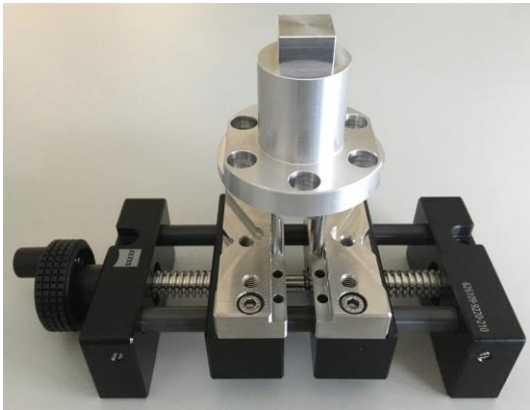
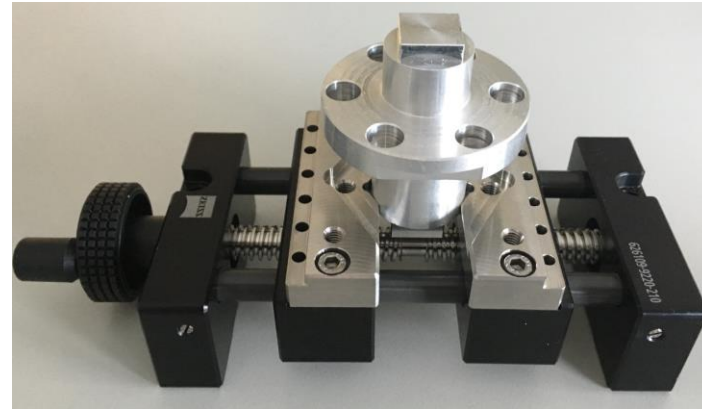
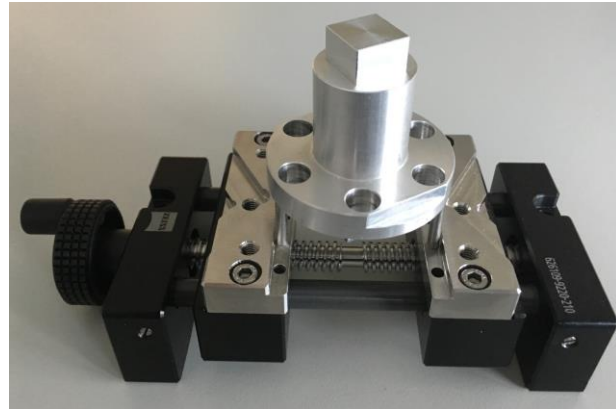
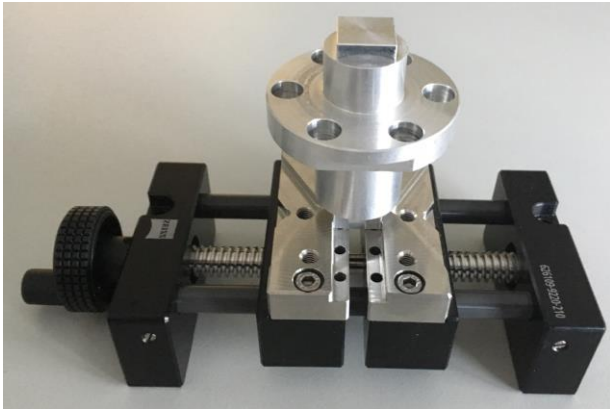
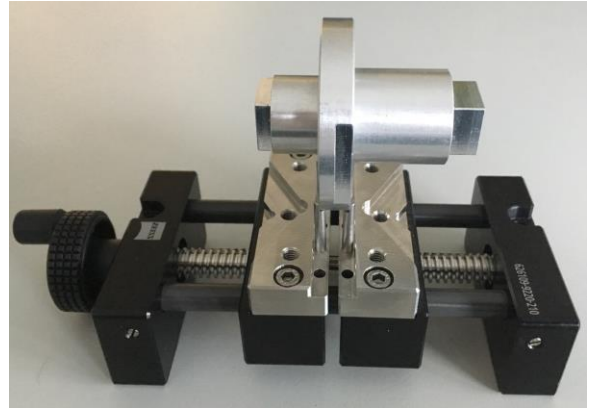
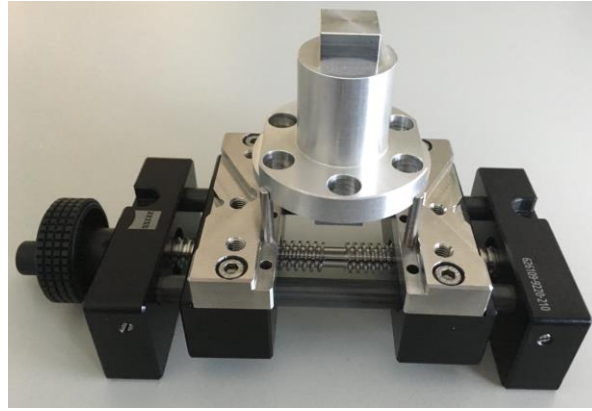
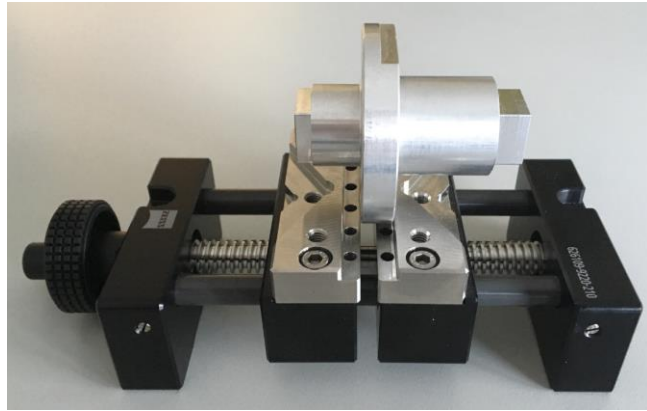
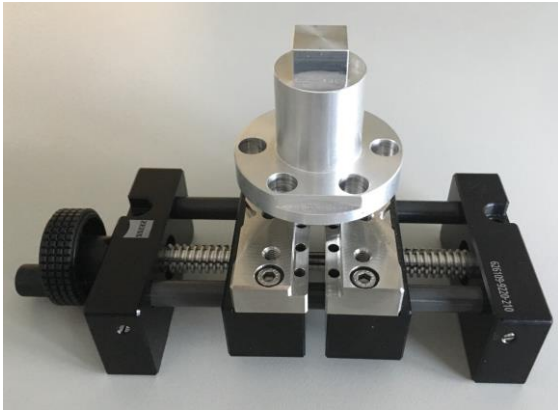


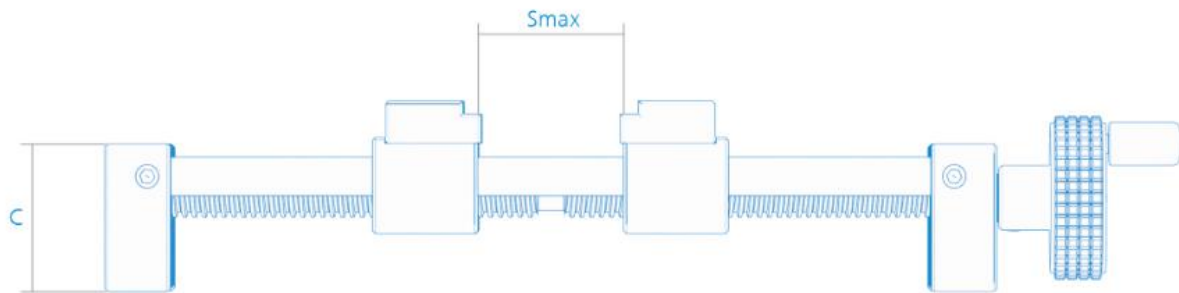
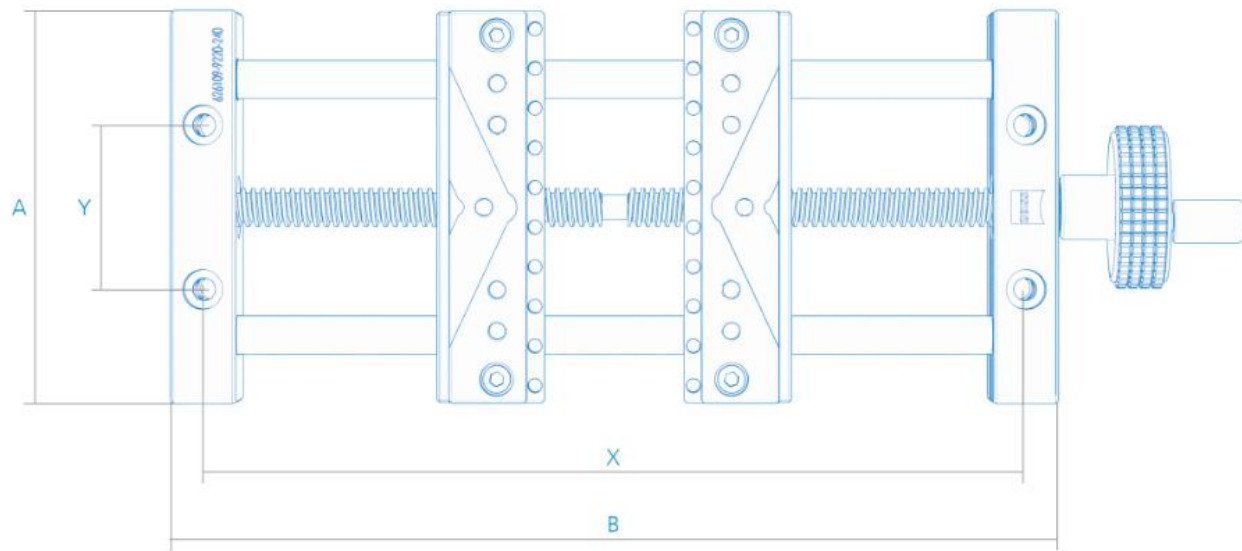
www.zeiss.com/metrology/accessories2018





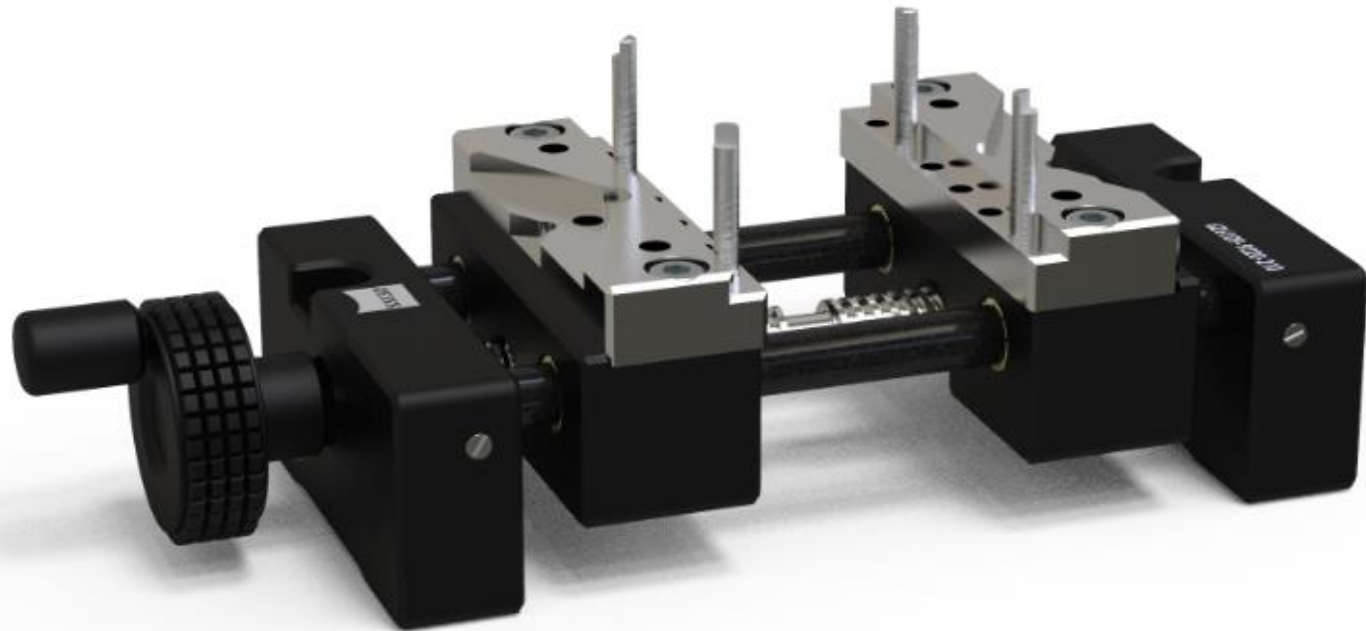






	A	B	C	X	Y	S _{max}	comment	list price
	[mm]	[mm]	[mm]	[mm]	[mm]	[mm]		
626109-9220-210	80	160	45	150		50		1.235,00 €
626109-9220-220	80	210	45	200		100		1.245,00 €
626109-9220-230	120	220	45	200	50	110		1.325,00 €
626109-9220-240	120	270	45	250	50	160		1.335,00 €
626109-9220-245	120	270	45	250	50	160	with mounting plate	1.535,00 €
626109-9220-250	120	320	45	300	50	210		1.375,00 €
626109-9220-260	120	370	45	350	50	260		1.395,00 €
626109-9220-270	170	320	45	300	100	210	with mounting clips M10/M12	1.475,00 €
626109-9220-280	170	420	45	400	100	310	with mounting clips M10/M12	1.485,00 €
626109-9220-290	170	520	45	500	100	410	with mounting clips M10/M12	1.495,00 €

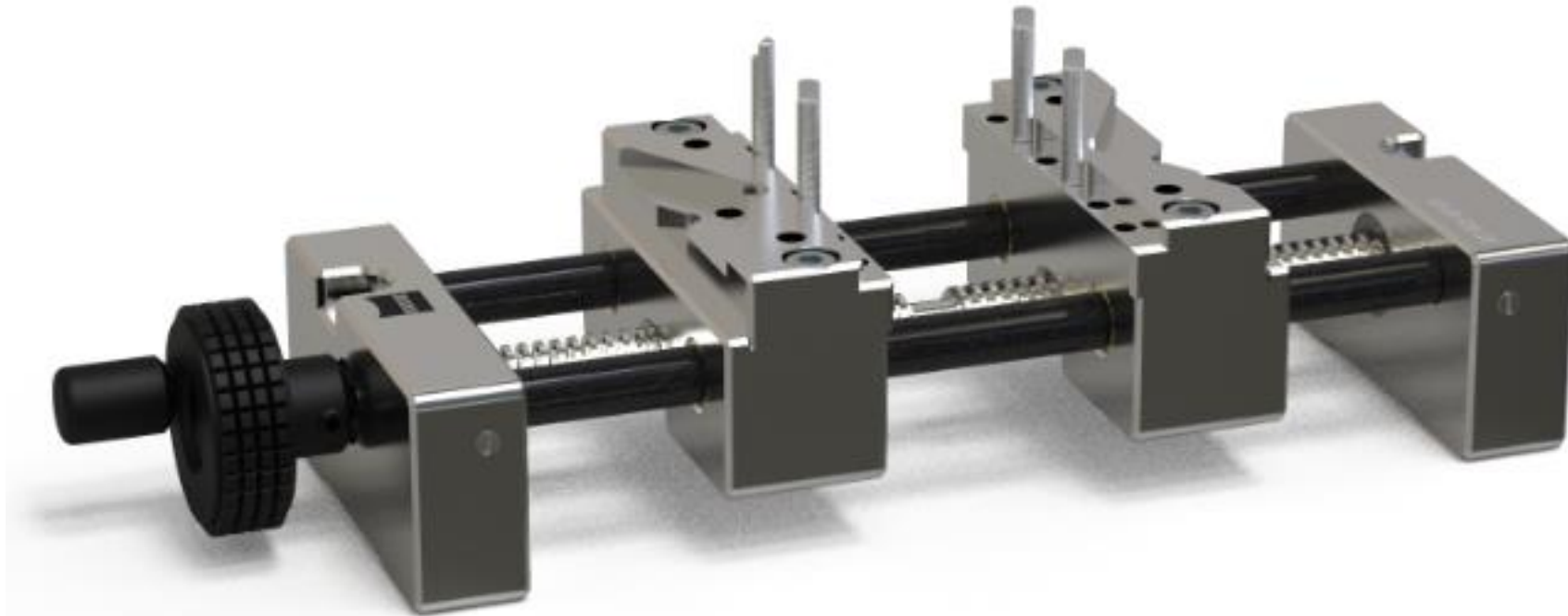
626109-9220-210
aluminium black coated
width 80 mm – length 160 mm



626109-9220-220

Stainless steel

width 80 mm – length 210 mm



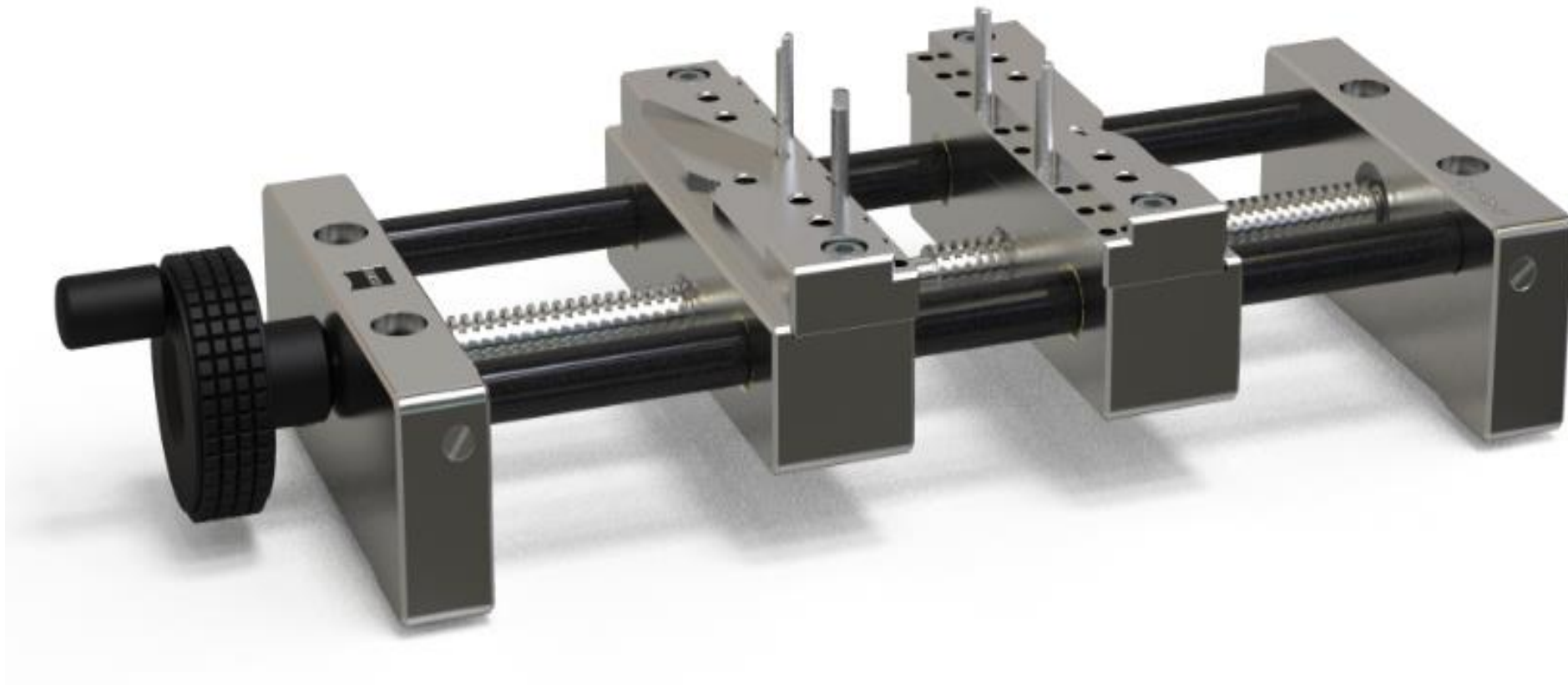
626109-9220-230

Stainless steel

width 120 mm – length 220 mm



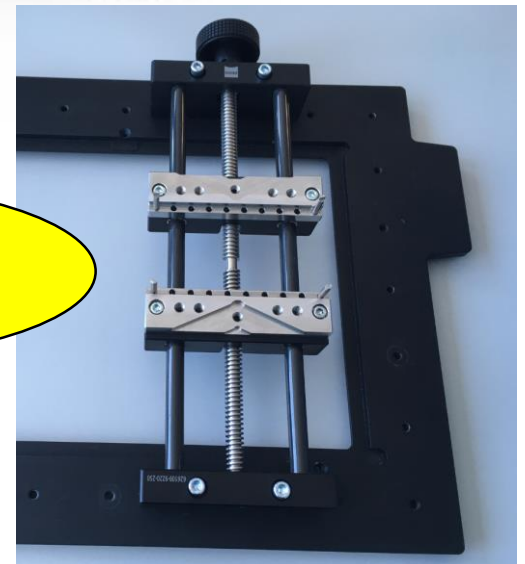
626109-9220-240
Stainless steel
width 120 mm – length 270 mm



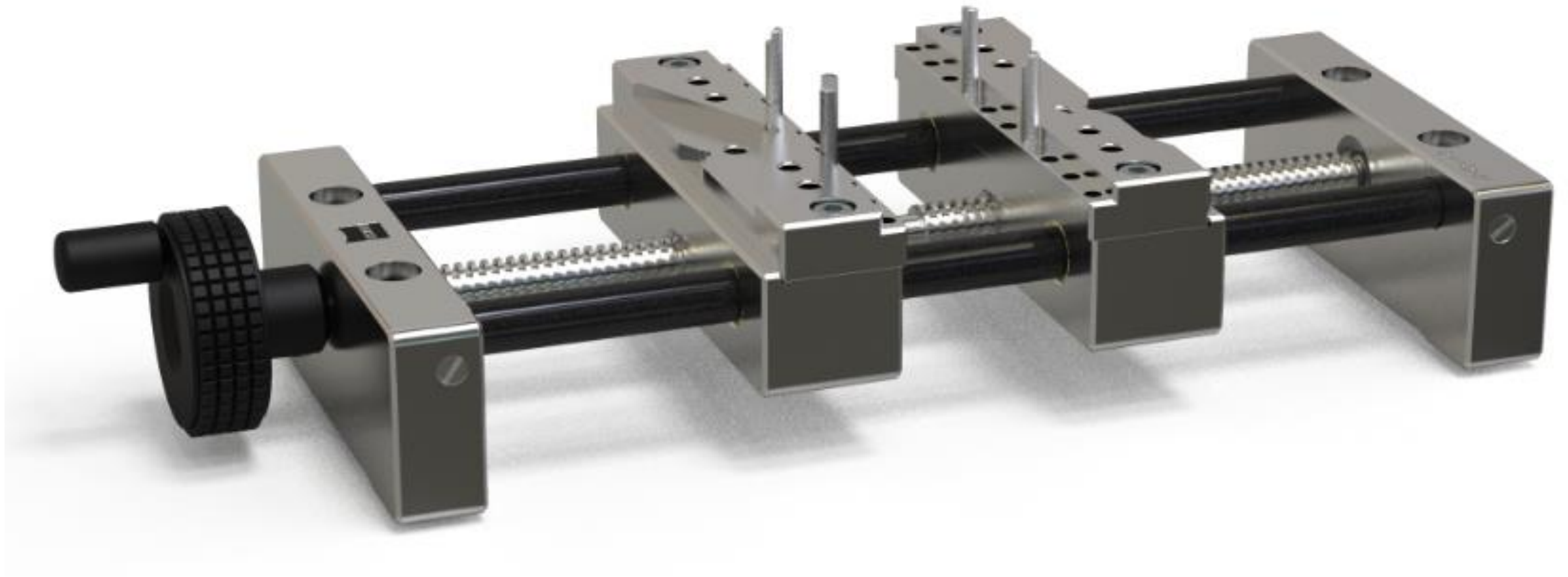
626109-9220-250
Aluminum black coated
width 120 mm – length 320 mm



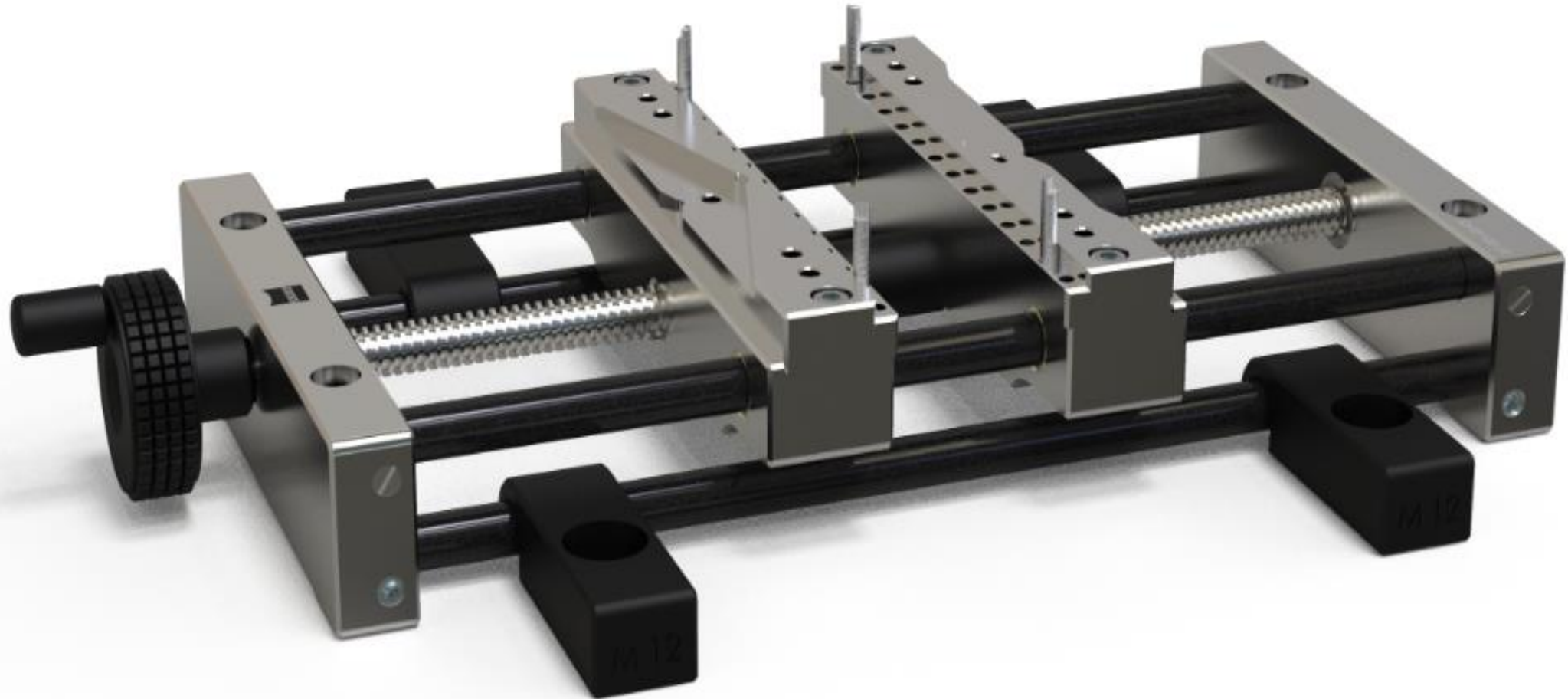
recommended for
O-INSPECT 322



626109-9220-260
Stainless steel
width 120 mm – length 370 mm



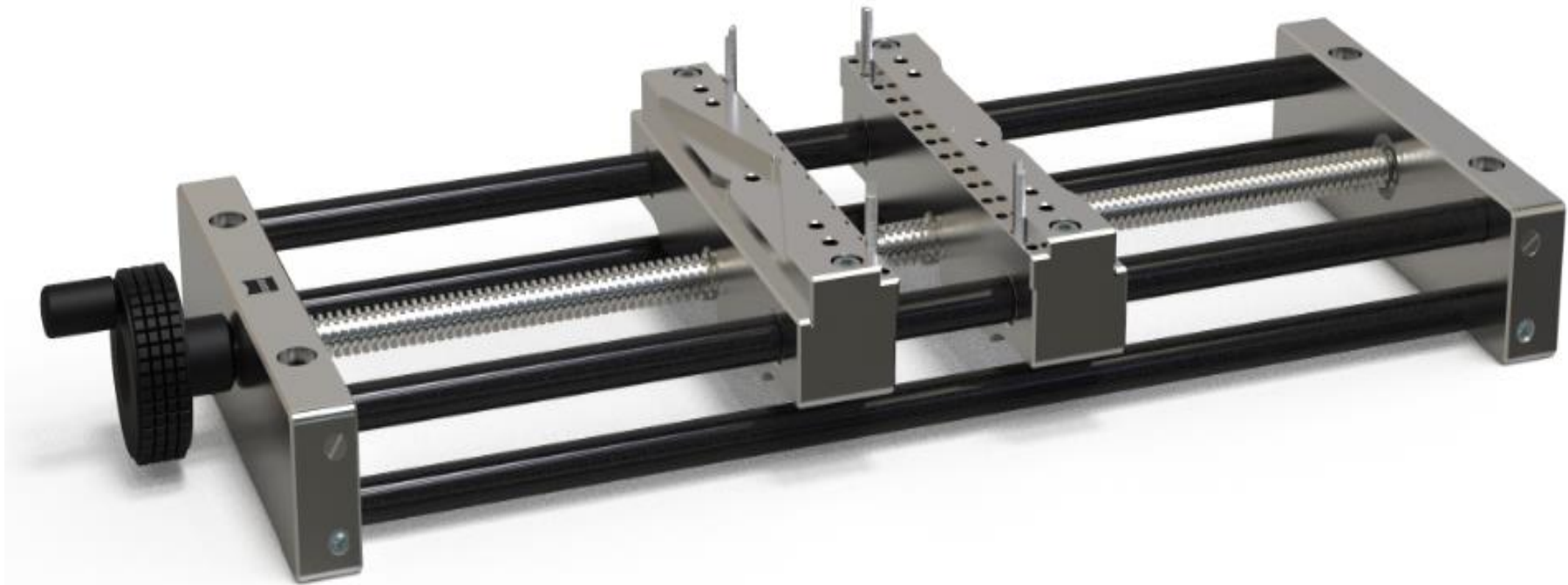
626109-9220-270
Stainless steel
width 170 mm – length 320 mm



626109-9220-280

Stainless steel

width 170 mm – length 420 mm



626109-9220-290
Stainless steel
width 170 mm – length 520 mm

compatible with
O-INSPECT 543

