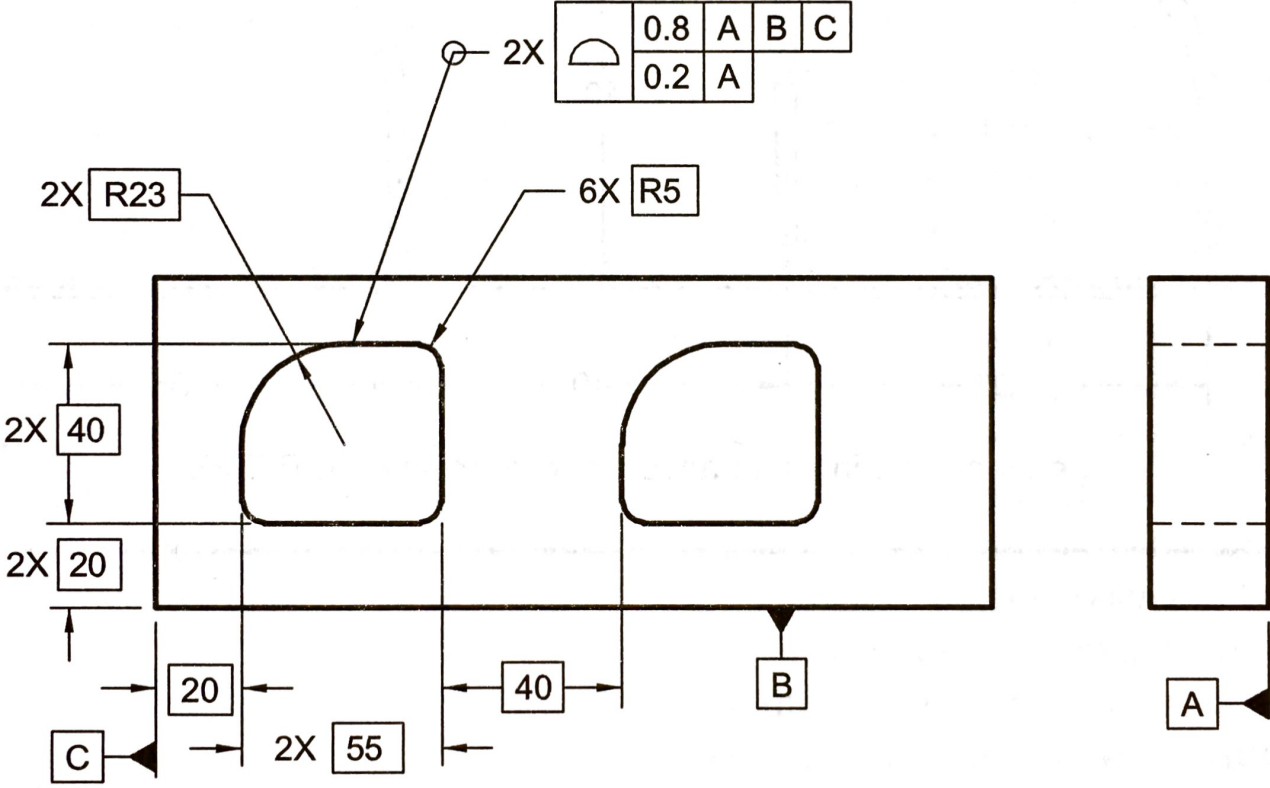


Fig. 8-21 Pattern Located by Composite Profile Tolerancing

This on the drawing

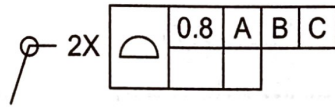


8.6.1.5
8.6.1.3
8.6.1.1

Fig. 8-21 Pattern Located by Composite Profile Tolerancing (Cont'd)

FIG. 8-21(a)

First segment of callout means this:



Pattern tolerance zones located relative to datum reference frame

0.8 bilateral pattern-locating tolerance zones basically related to each other and basically located to the datums

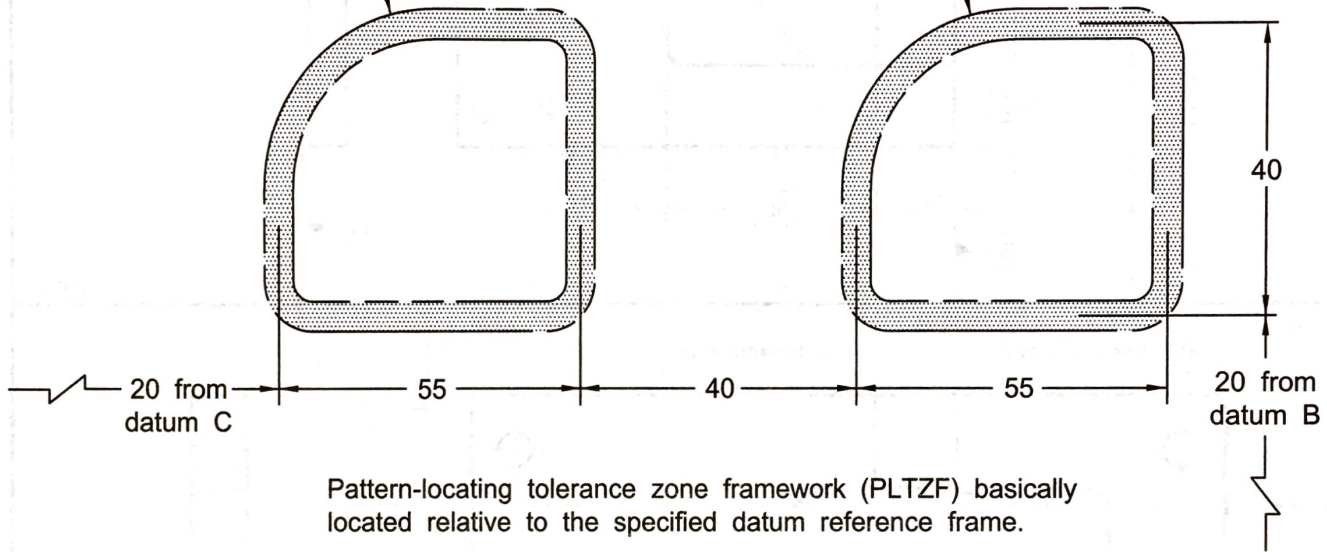
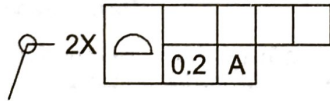


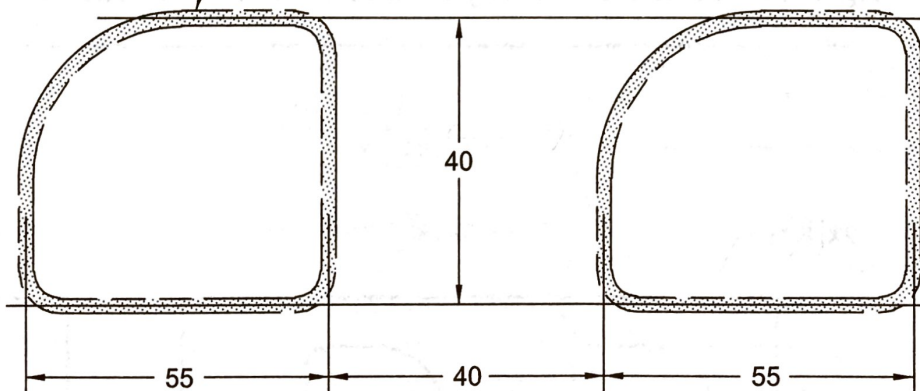
Fig. 8-21 Pattern Located by Composite Profile Tolerancing (Cont'd)

FIG. 8-21(b)

Second segment of callout means this:



0.2 bilateral feature - relating tolerance zones basically located and oriented to each other and constrained in rotation to datum plane A



Feature - relating tolerance zone framework (FRTZF).