

Threshold values

Thresholds of other ZEISS probe heads.

Threshold values of other stylus systems

There is a wide variety of other measuring systems that are stipulated for the maximum weights and lengths of the stylus systems. The most important are shown in the following overview:

Probe head	Length in mm	Weight in g	Tilt torque in Nm
ST	200	200	-
ST3	200	200	-
ST-ATAC	200	200	-
XDT-TL3	150	15	-
RDS / XDT-TL3	150	15	-
VAST XXT-TL1	125	10	-
RDS / XXT-TL1	125	10	-
VAST XXT-TL2	250	10	-
RDS / XXT-TL2	250	10	-
VAST XXT-TL3	150	15	-
RDS / XXT-TL3	150	15	-
DT	500	500	0.3
VAST XT	500	500	0.3
VAST XT gold	500	500	0.3
VAST	800	600	0.1
VAST gold	800	600	0.1
HSS	600	600	0.2

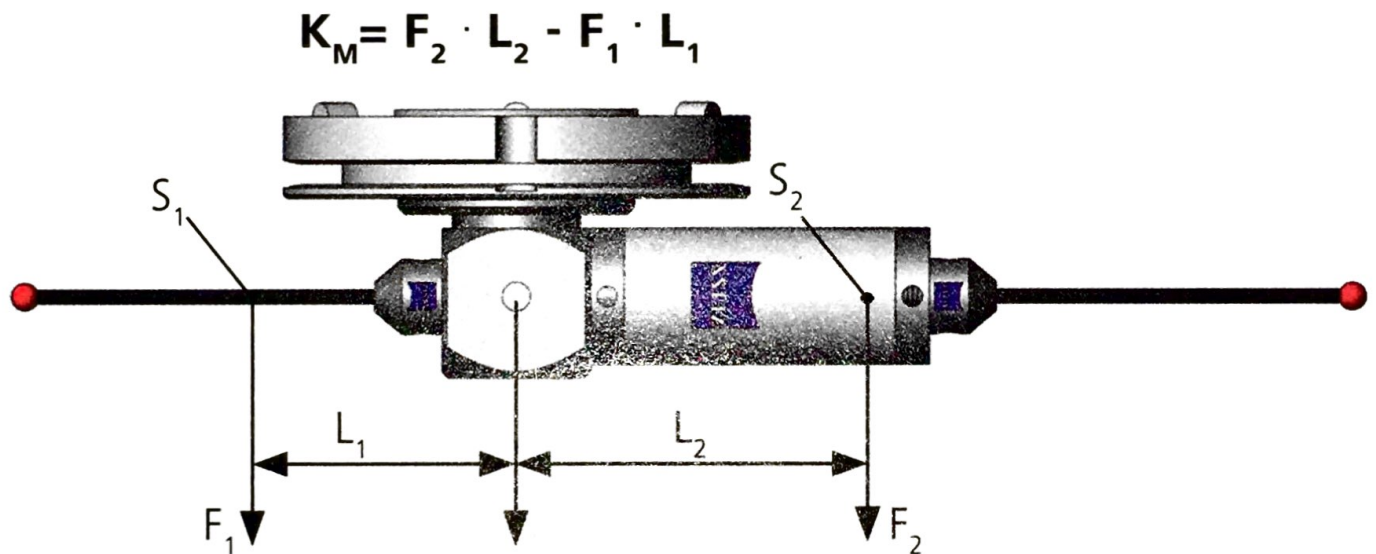
Caution!

The specification in the documentation of your measuring machine is binding.

The tilt torque

The tilt torque is created by an uneven weight distribution of the stylus system. This must be prevented by the use of suitable balance weights.

The tilt torque K_M can be calculated as follows:



Legend

S	Center gravity of a stylus
F	Force at the center of gravity
L	Distance from center of gravity to line of symmetry

For information about this can be taken from the "sensor system" operating instructions.

Threshold values

Thresholds of other ZEISS probe heads.