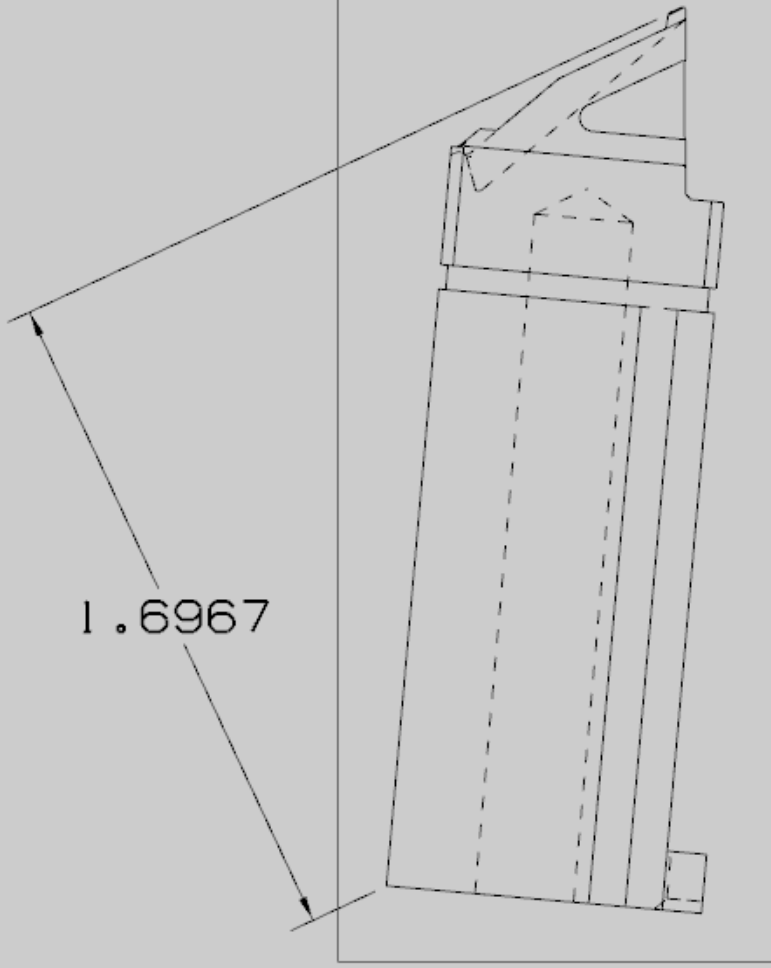


+



1.6967