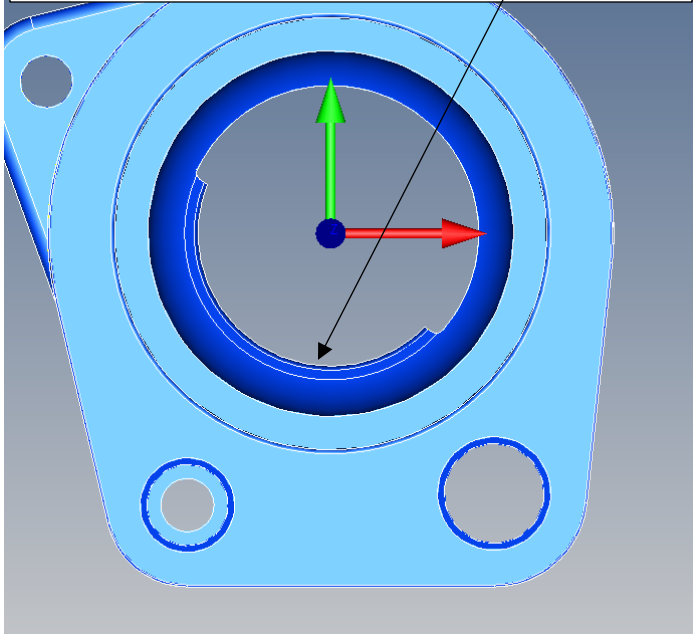


TOP VIEW SECTION THAT NEEDS MEASURED



SIDE VIEW HAVE TO MEASURE INTERSECTING POINT FROM RADIUS AND ANGLE

