

# CALYPSO 2019 - Highlights



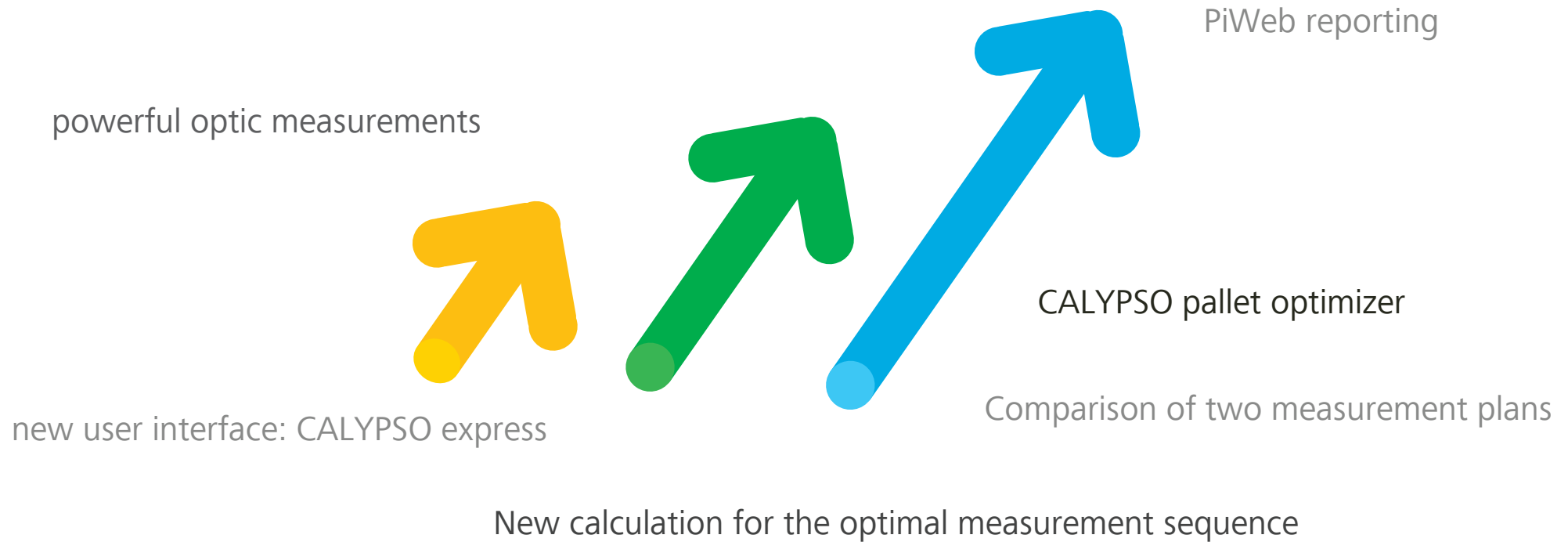
**Metrology Application Software**  
Product management  
25.04.2019

# CALYPSO 2019 improves your **PERFORMANCE**

increase productivity – make processes easier



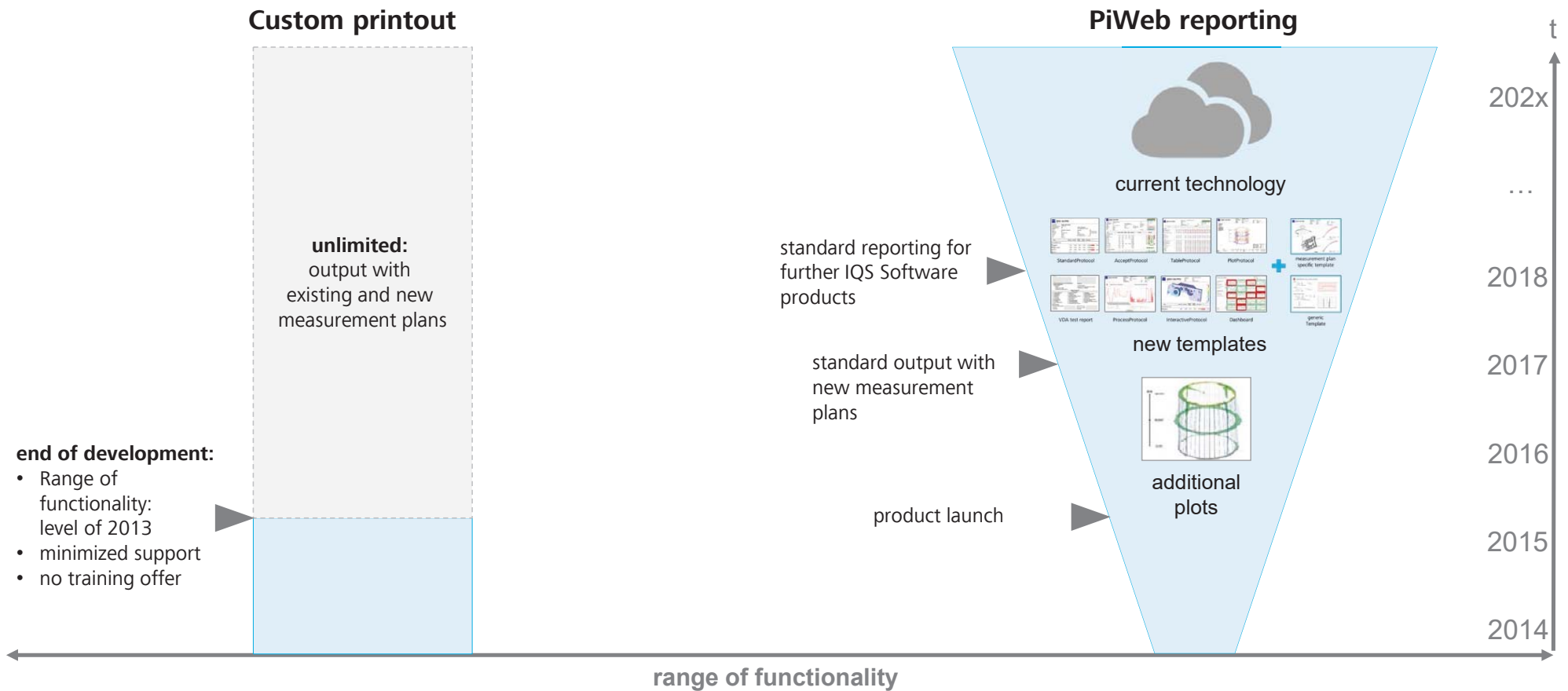
New features in the CALYPSO VAST options



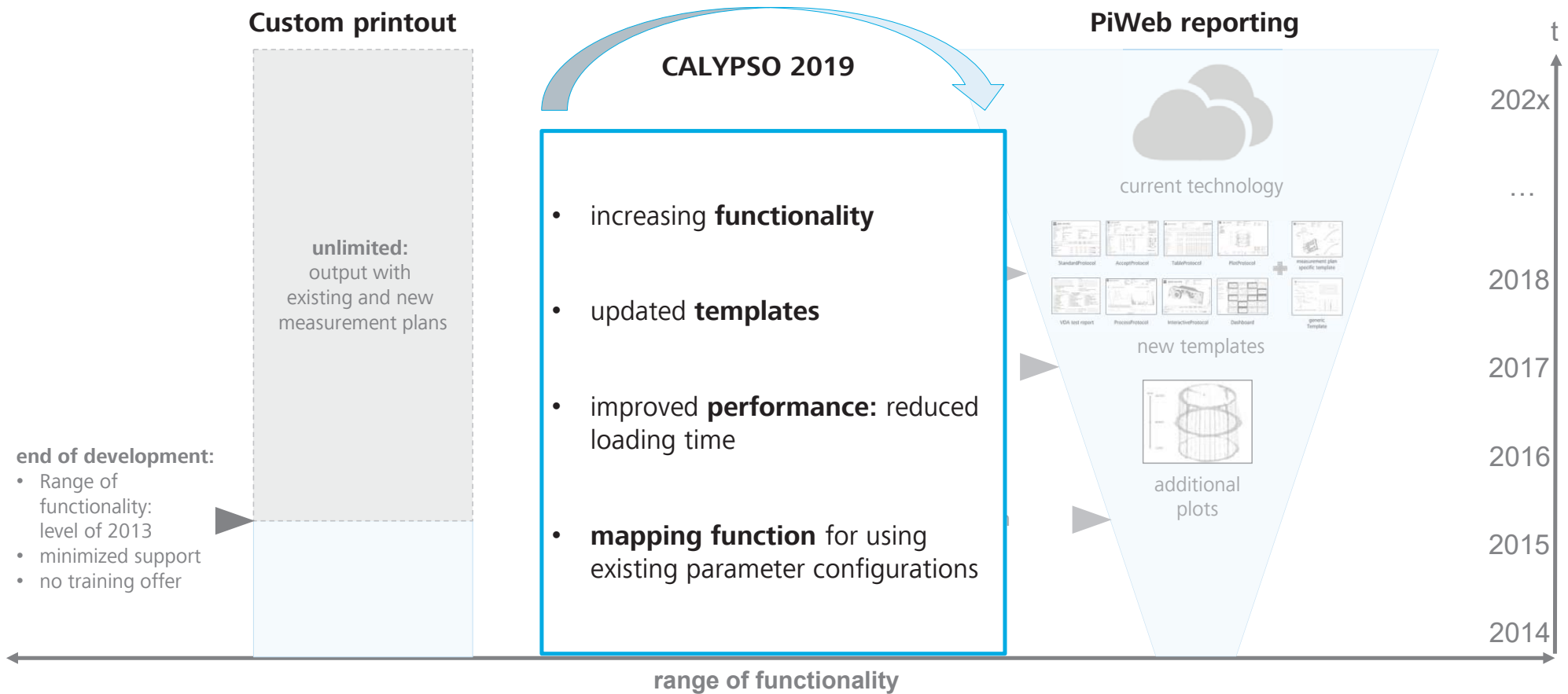
# The future of the custom printout:

long term: end of development –

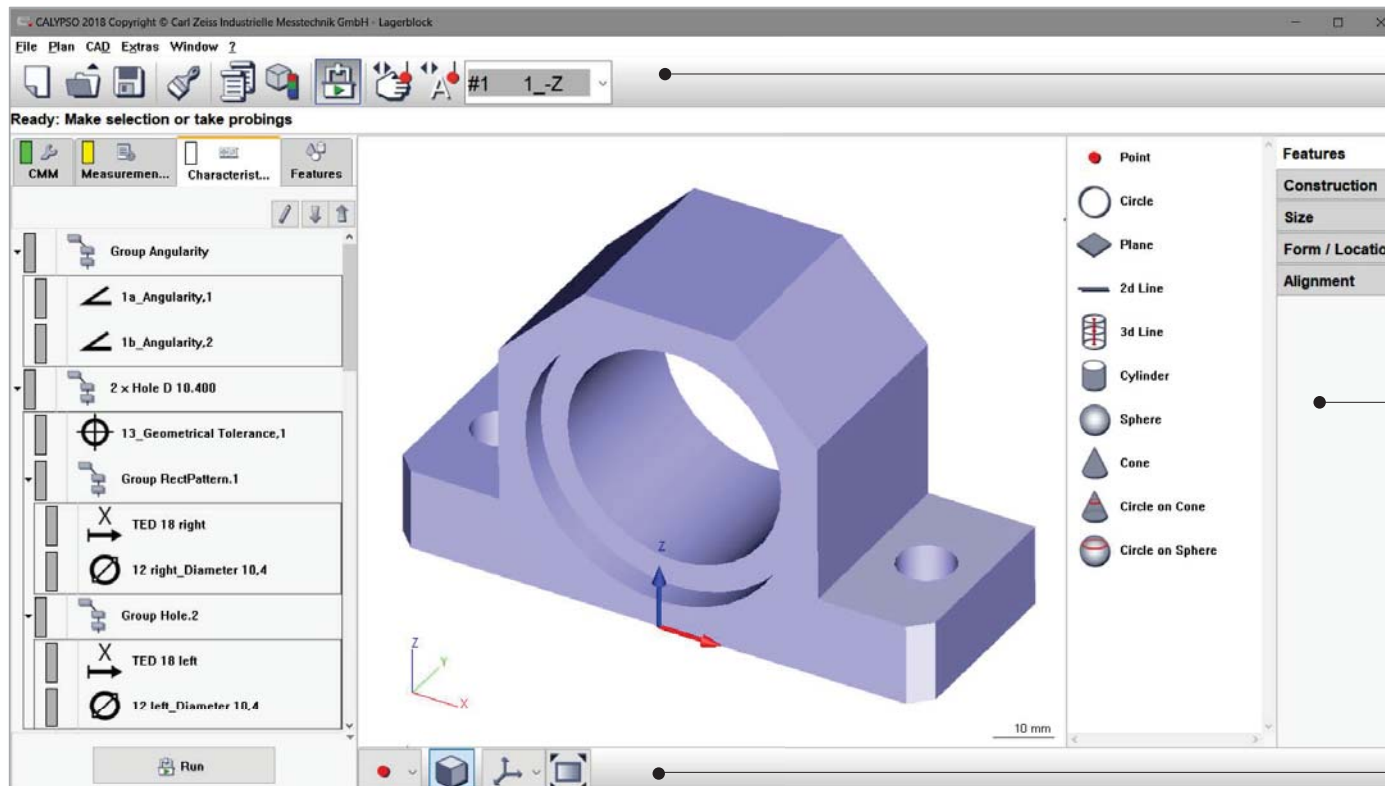
Focus on further development and expansion of PiWeb reporting



# The future of the custom printout: CALYPSO 2019: further features to support the changeover



# CALYPSO express – reduced range of functionality for quick access to basic tactile and optical functions

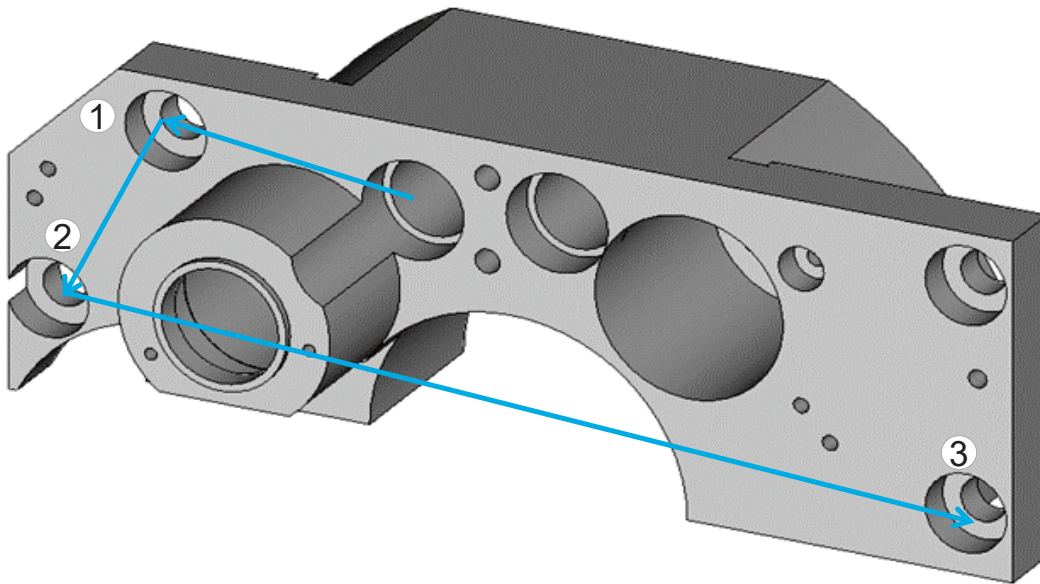


toolbar the most important features & icons

quick access to the features and characteristics

focus on the basic CAD functionalities

## Definition of the optimal measurement sequence: new calculation method



✓ **support during programming:**  
automatic calculation of the optimal order



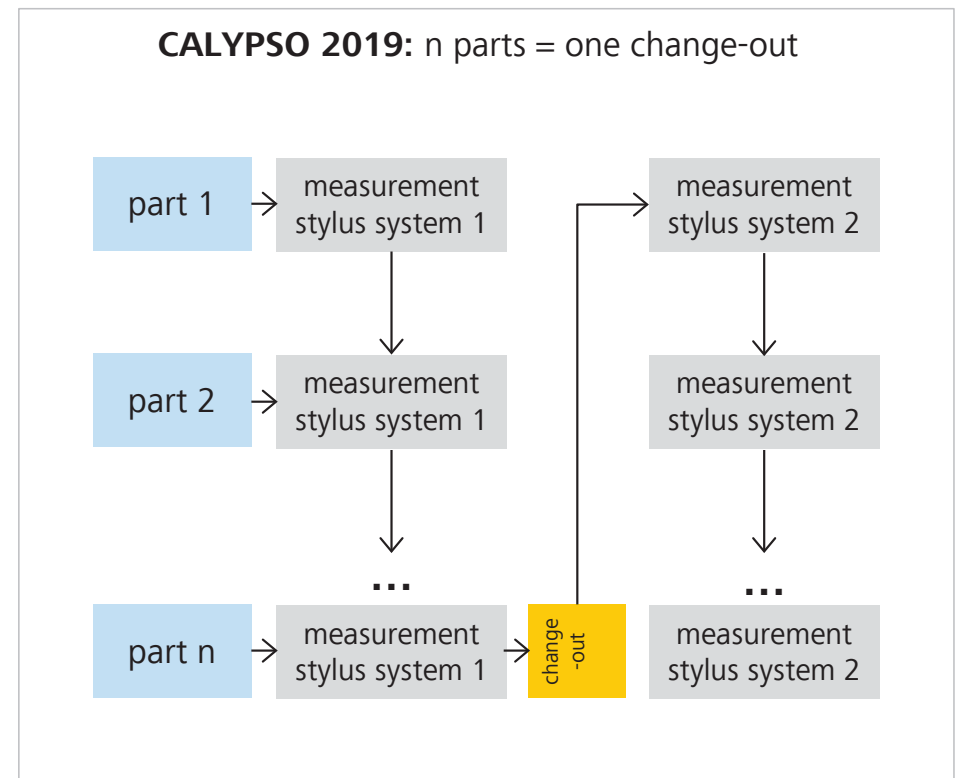
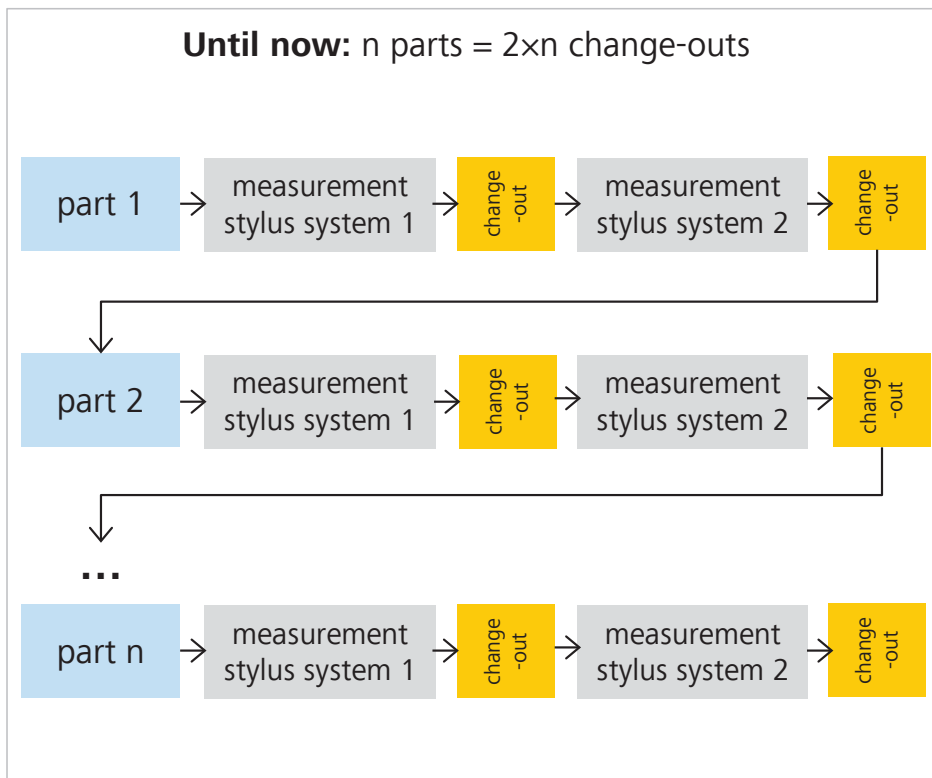
✓ **reduction of the CNC-duration:**  
minimized travel path

# New option: CALYPSO pallet optimizer

AutoRun - pallet measurement with reduced stylus system change-out



**Example:** One stylus system change-out per part/measurement plan

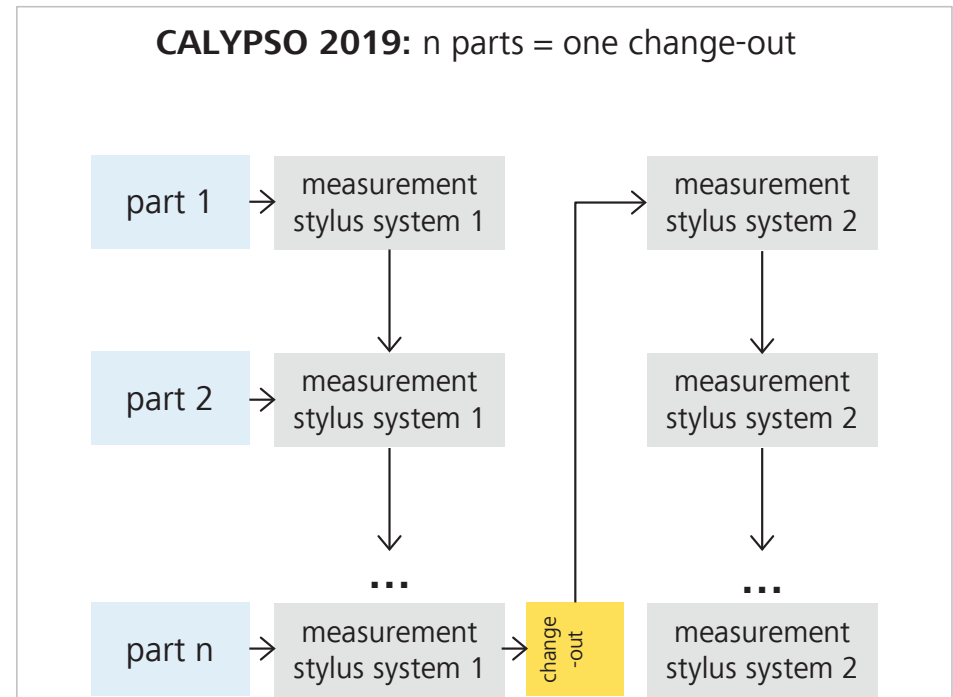
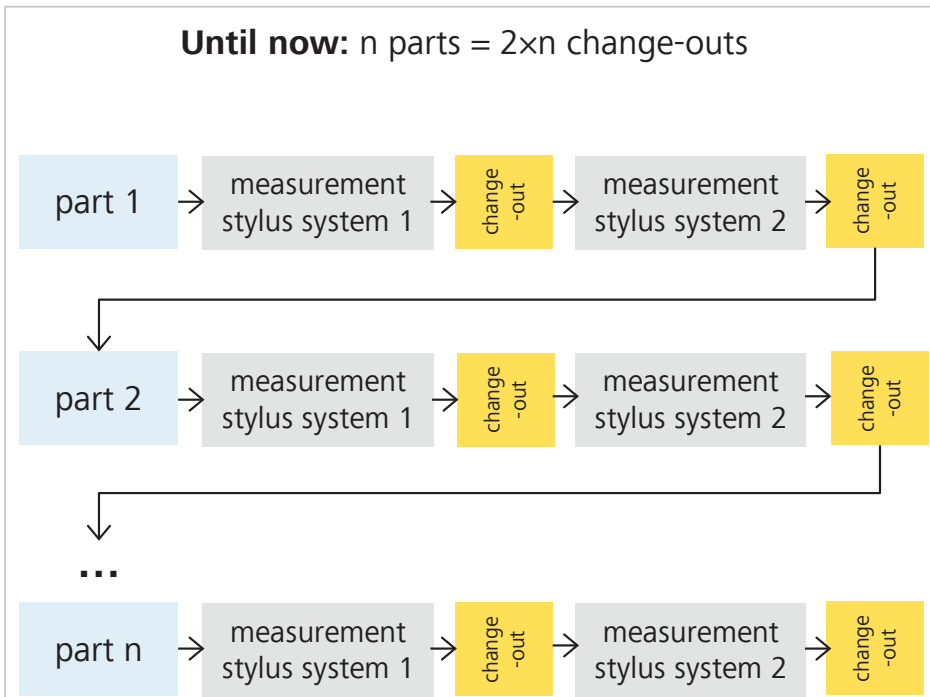


# New option: CALYPSO pallet optimizer

AutoRun - pallet measurement with reduced stylus system change-out



**Example:** One stylus system change-out per part/measurement plan



**first rest results with CALYPSO 2019**

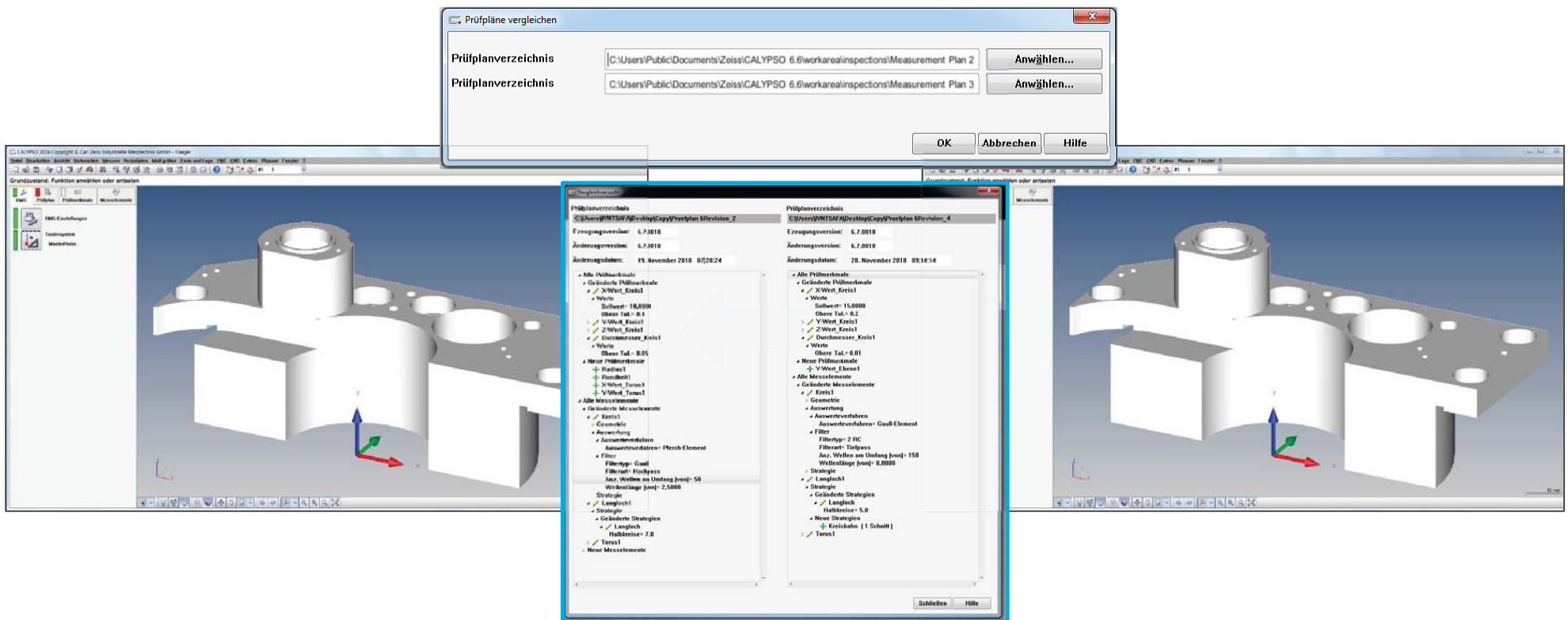
→ 15 – 30 % time savings with three tactile styli systems

→ ~35 % time savings with tactile-optical **taktil – optischen** change operations



# Comparison of two measurement plans:

## Analysis of the features, characteristics & measurement strategies



## CALYPSO 2019

### Note about Windows-compatibility



- **CALYPSO 2019 only supports Windows 10.** With this we avoid a phase in which we would have to provide support for an end-of-support operating system.

### Windows 7 support will end on January 14, 2020

Applies to: Windows 7

#### Windows 7 support lifecycle

Microsoft made a commitment to provide 10 years of product support for Windows 7 when it was released on October 22, 2009. When this 10-year period ends, Microsoft will discontinue Windows 7 support so that we can focus our investment on supporting newer technologies and great new experiences. The specific end of support day for Windows 7 will be January 14, 2020. After that, technical assistance and automatic updates that help protect your PC will no longer be made available for the product. Microsoft strongly recommends that you move to Windows 10 sometime before January 2020 to avoid a situation where you need service or support that is no longer available.

<https://support.microsoft.com/en-us/help/4057281/windows-7-support-will-end-on-january-14-2020>

