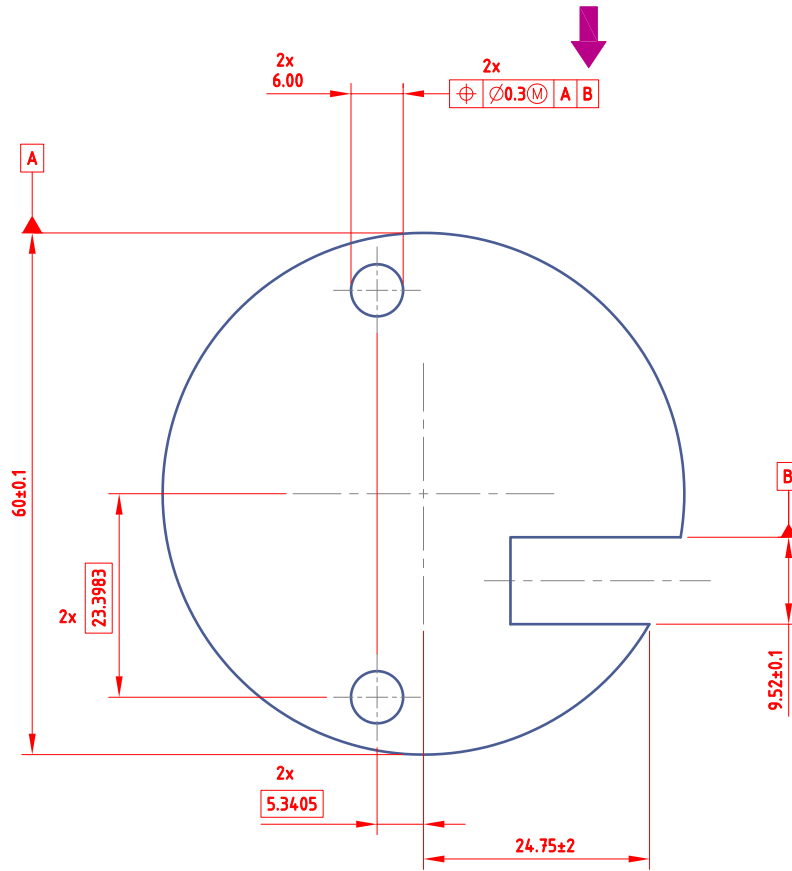
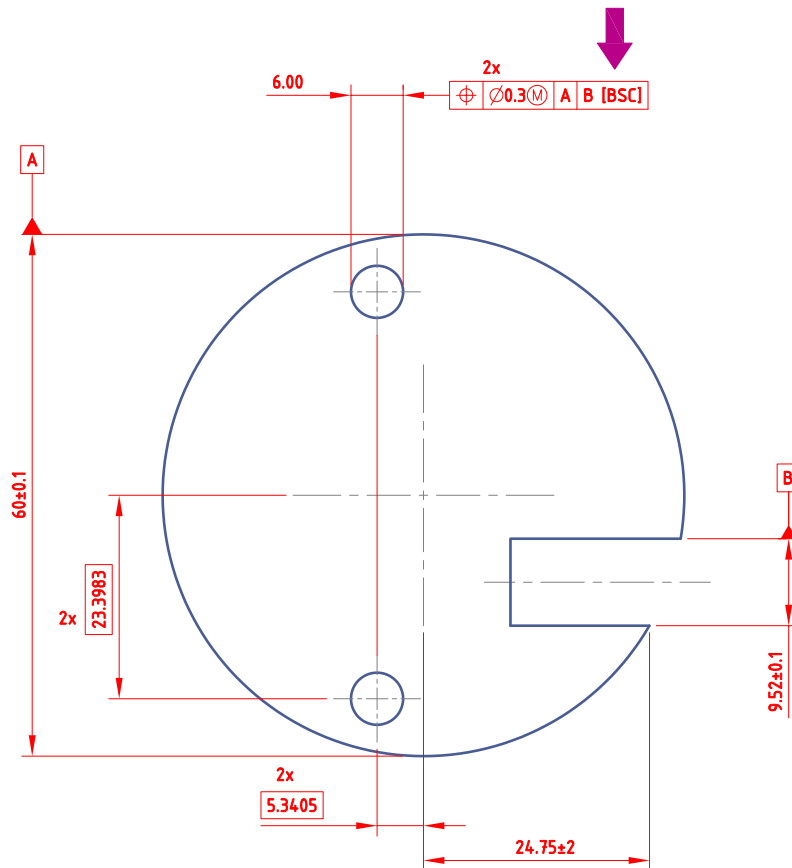


## Dimensioning #1



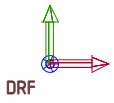
## Dimensioning #2



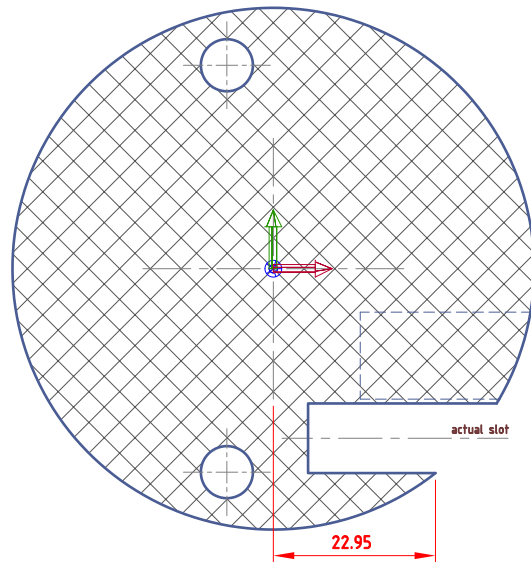
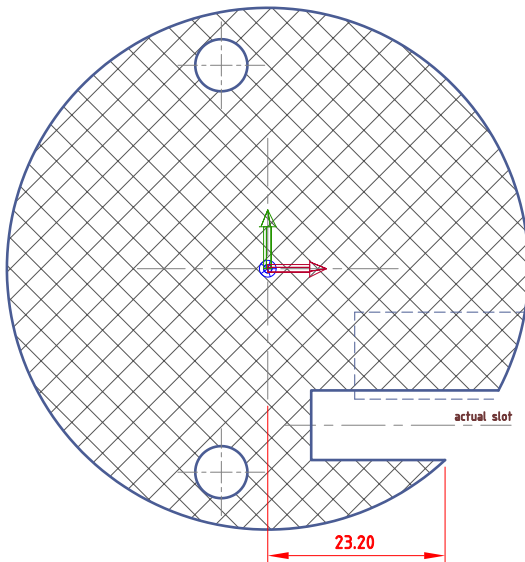
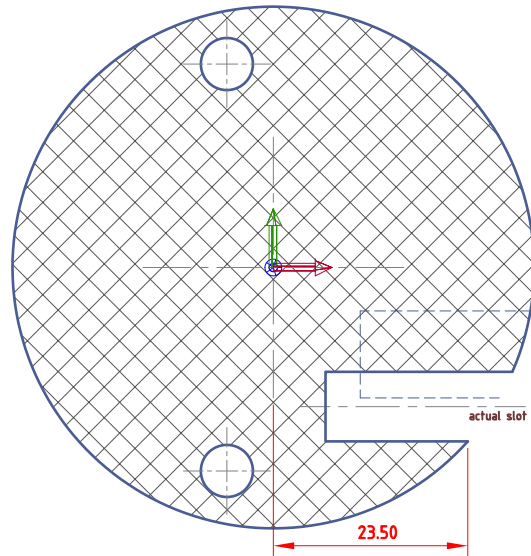
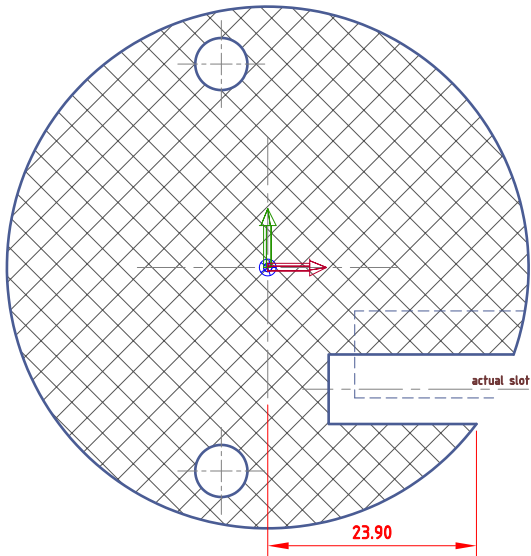
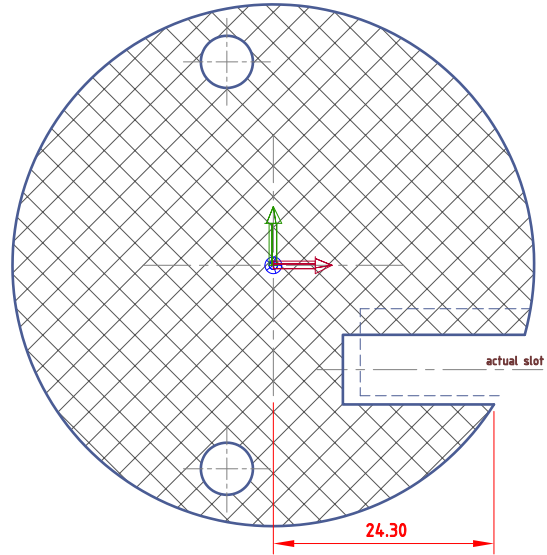
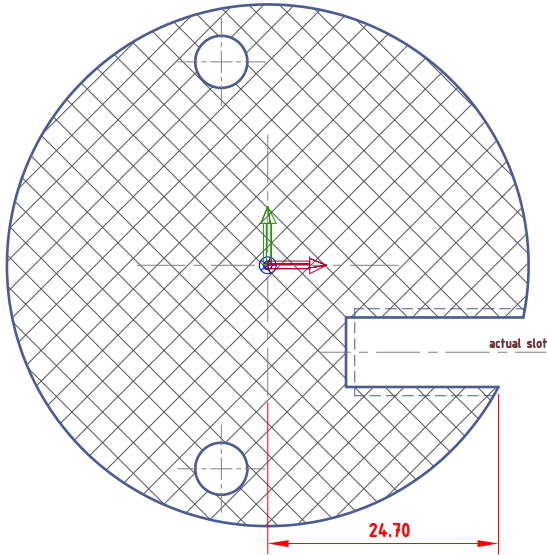
# No modifier on datum B

Pic. #2

Actual location of the slot (6x)



X axis of DRF *always parallel* to axis of the slot.  
No modifier needed.

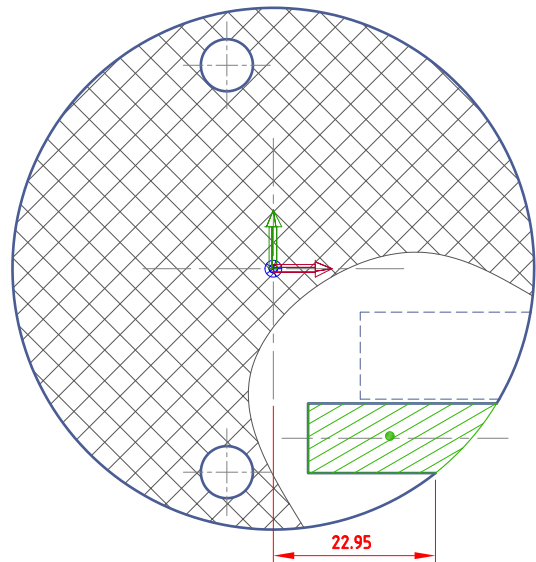
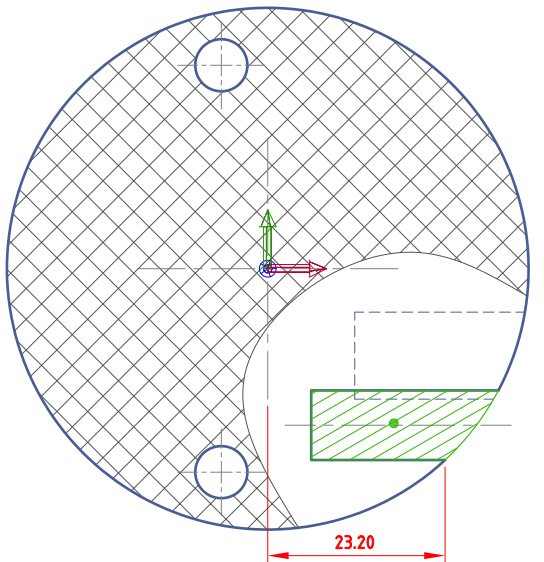
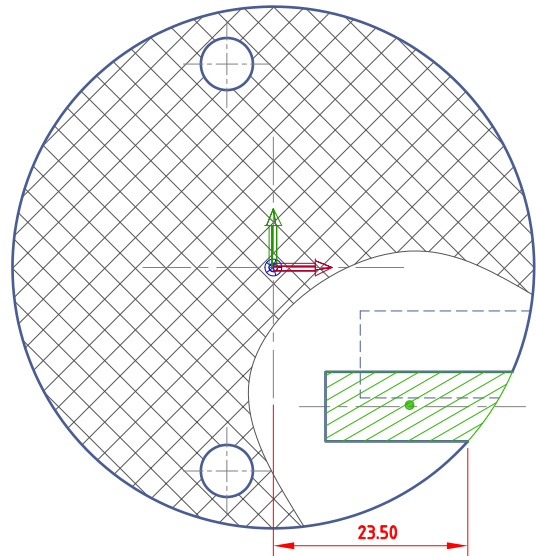
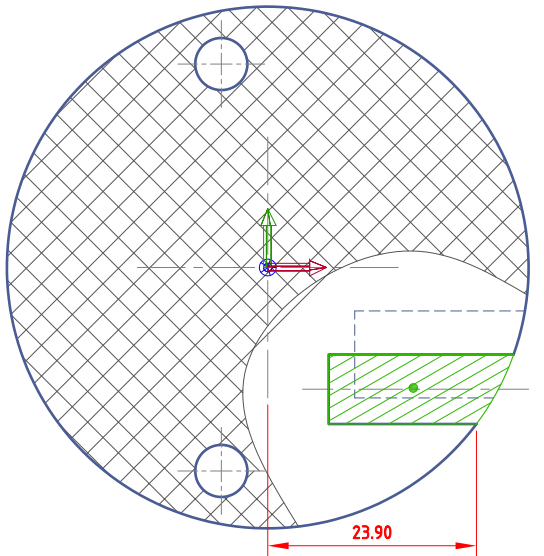
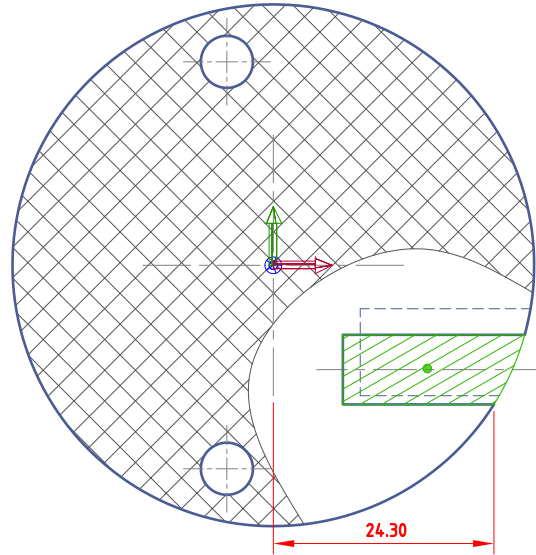
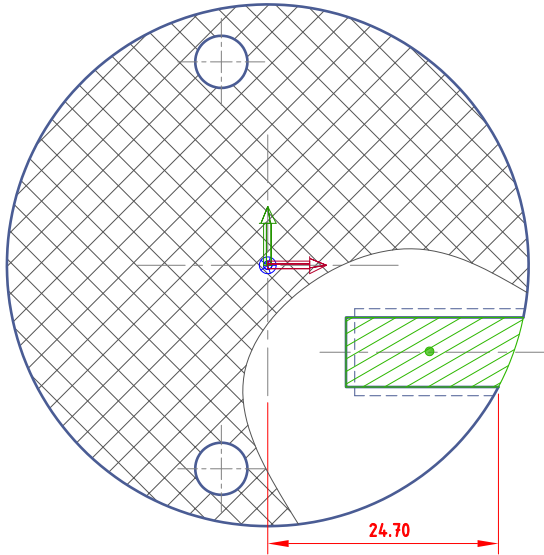


# Modifier on datum B

Pic. #3

Actual location of the slot (6x)

$\text{⊕}$   $\text{⌀}0.3\text{ (M)}$  **A** **B** **[BSC]**

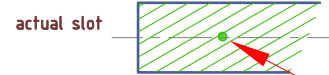
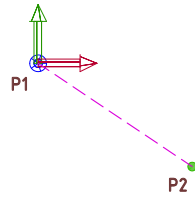


# Modifier on datum B

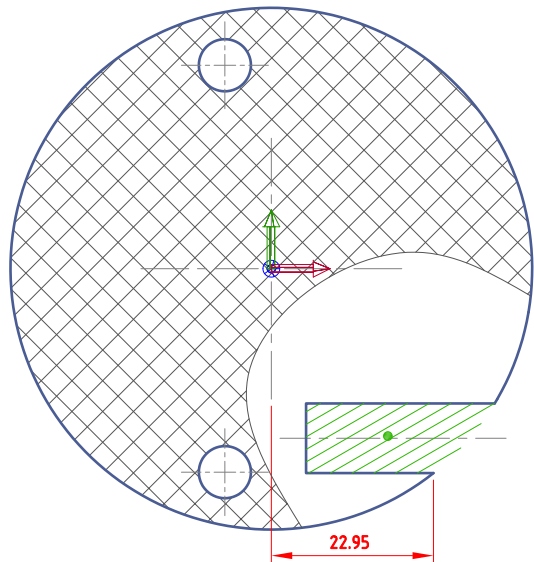
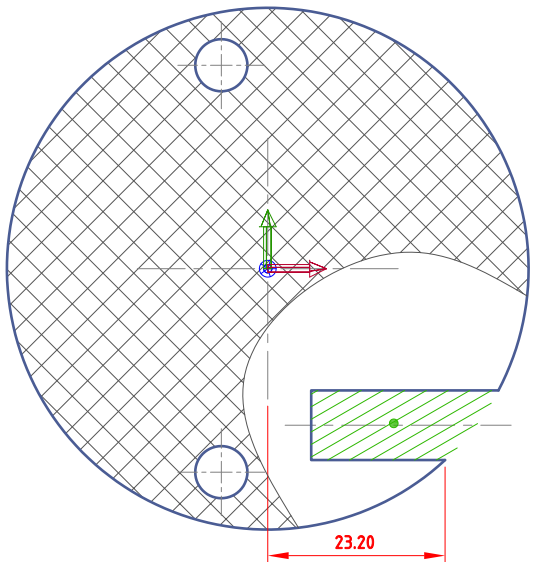
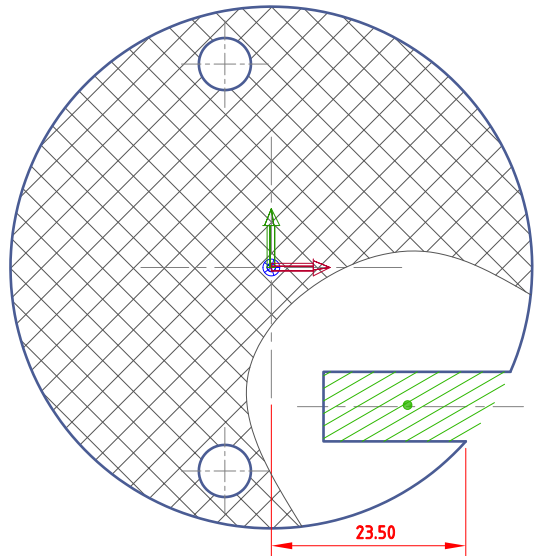
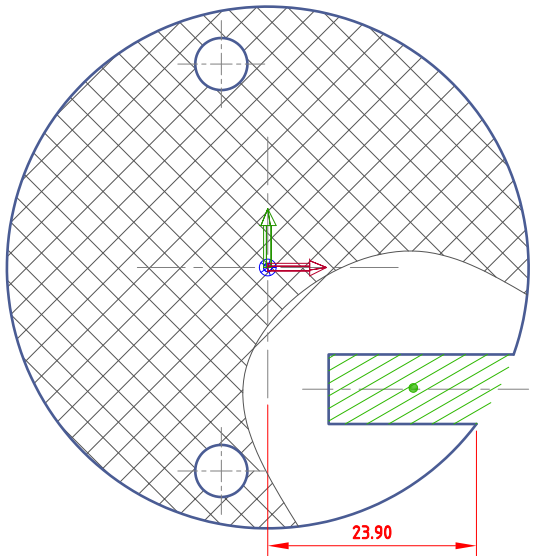
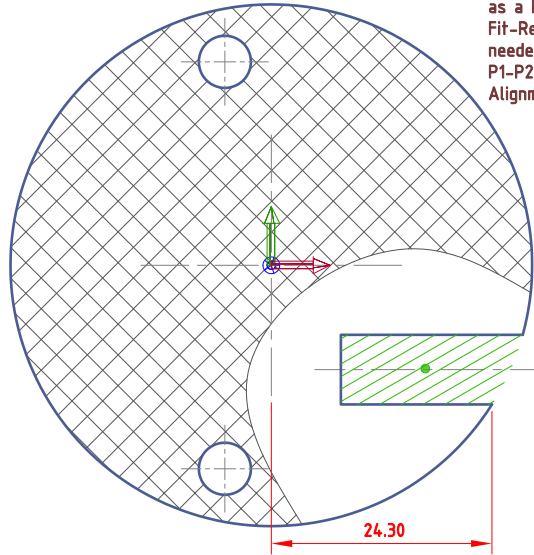
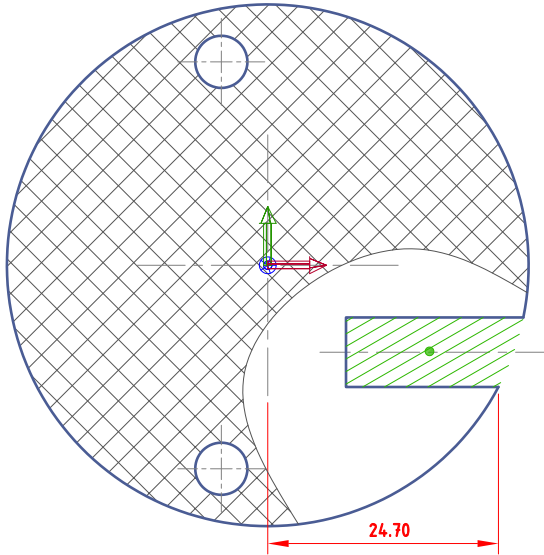
Pic. #3a

Actual location of the slot (6x)

	$\varnothing 0.3 \text{ (M)}$	A	B [BSC]
--	-------------------------------	---	---------



The point of gravity of the dashed area as a kind of Best-Fit-Reference-Point needed for the P1-P2-Planar Alignment

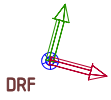


# Modifier on datum B

Pic. #4

Actual location of the slot (6x)

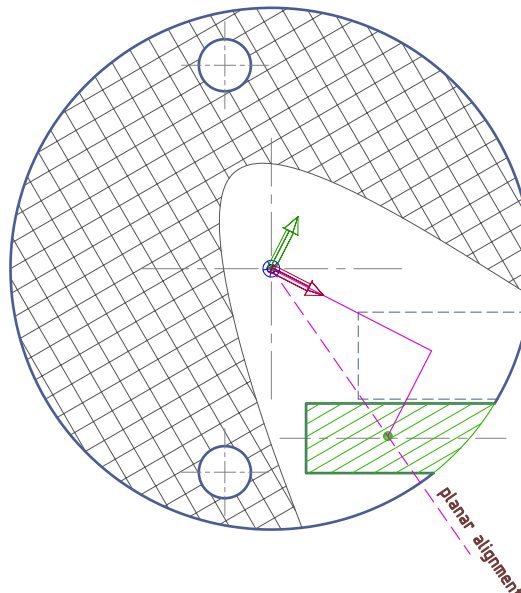
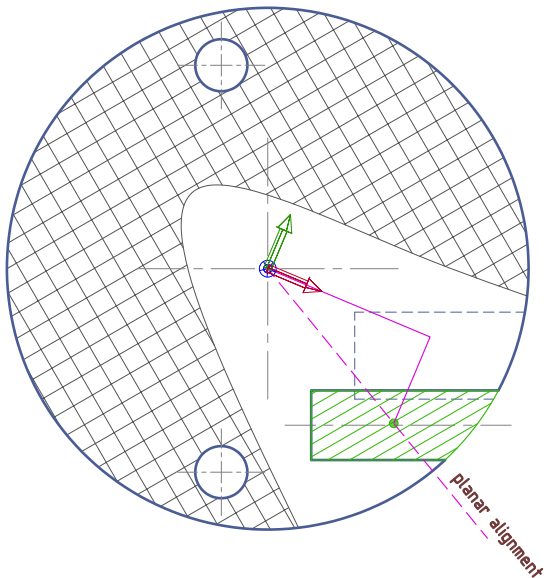
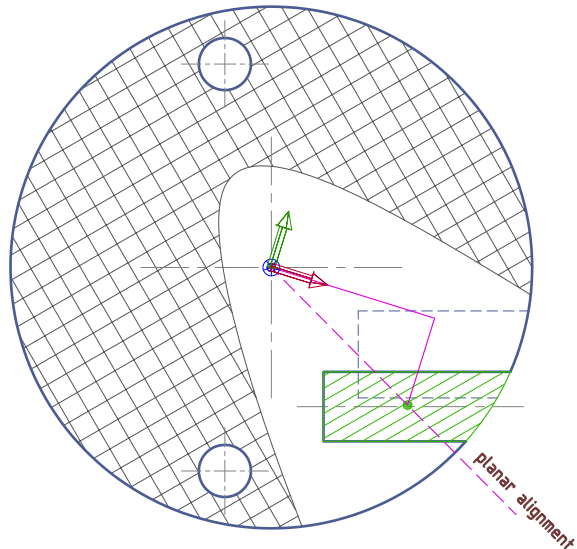
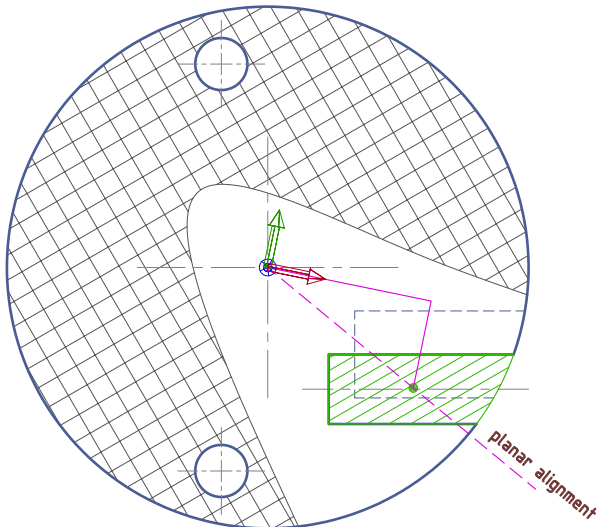
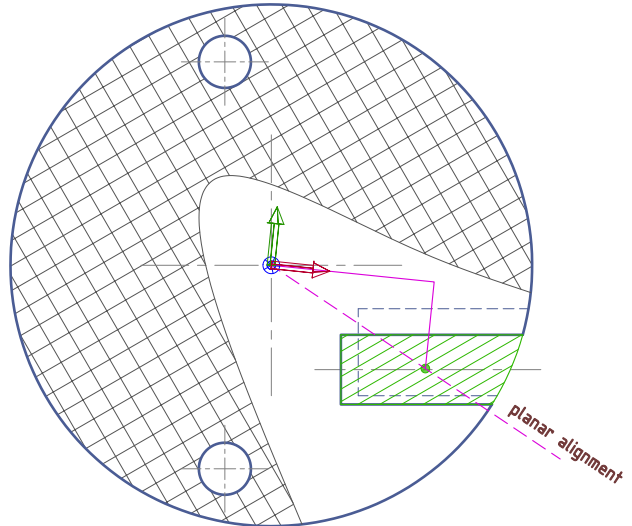
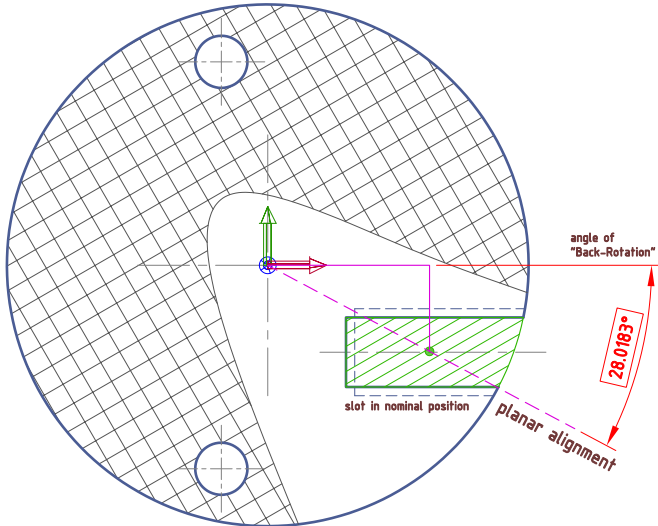
$\oplus$   $\varnothing 0.3 \text{ (M)}$  **A** **B [BSC]**



X axis of DRF *not always parallel* to axis of the slot. Modifier needed.

First step:  
Alignment of two points

Second step:  
Rotation by basic angle

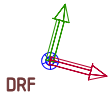


# Modifier on datum B

Pic. #4a

Actual location of the slot (6x)

	$\varnothing 0.3 (M)$	A	B [BSC]
--	-----------------------	---	---------



X axis of DRF *not always parallel* to axis of the slot. Modifier needed.

First step:  
Alignment of two points

Second step:  
Rotation by basic angle

