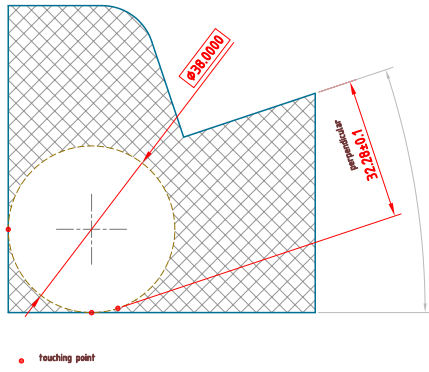
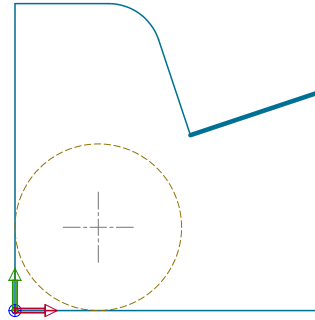


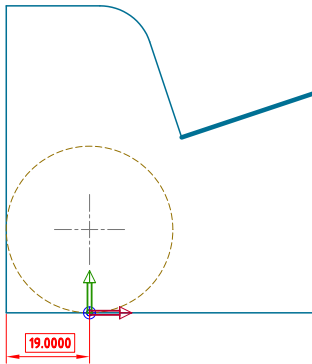
Measurement procedure



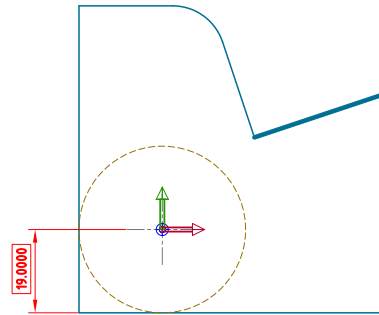
Coordinate system: plane/cylinder



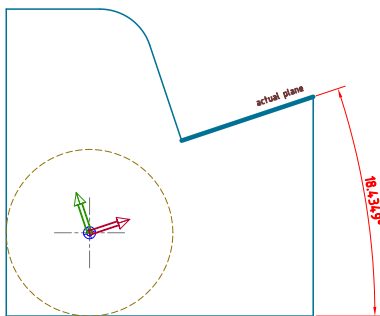
Coordinate system: X offset



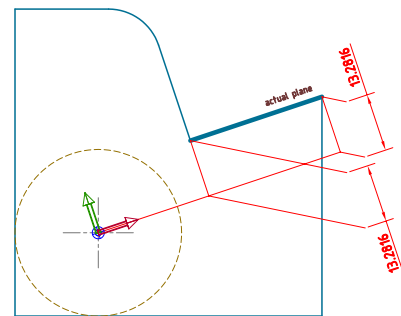
Coordinate system: Y offset



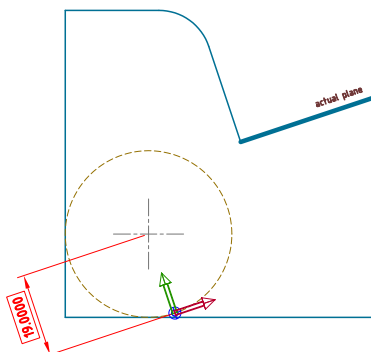
Coordinate system: rotation 18.4349° #1



Coordinate system: rotation 18.4349° #2



Coordinate system: offset Y=-19.0000



Result: distance of sphere and plane

