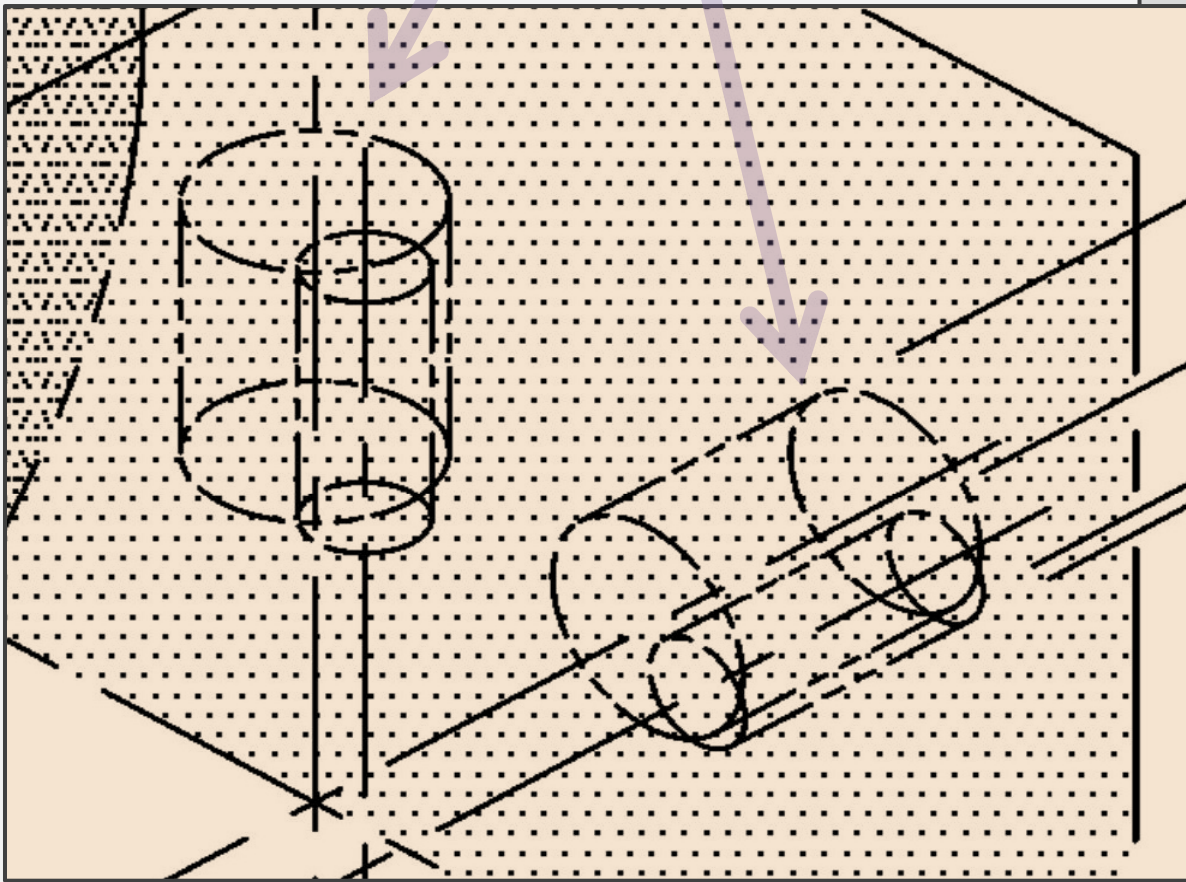
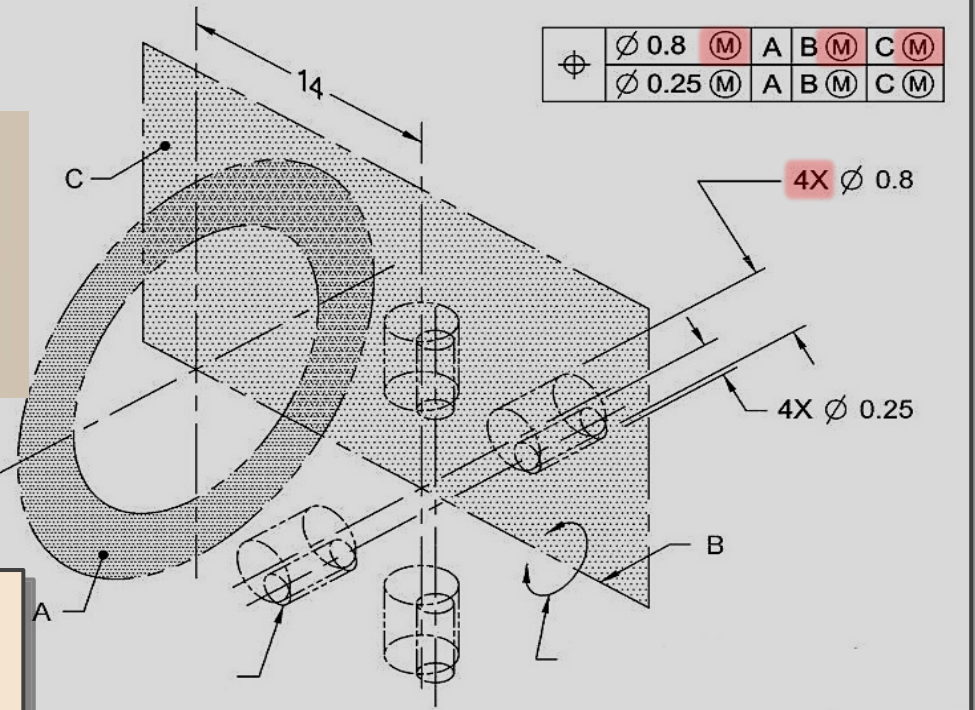


Pic 7-42

only two bores

⊕	∅ 0.8 (M)	A	B (M)	C (M)
	∅ 0.25 (M)	A	B (M)	C (M)



The mobility of the PLTZF:

X-translation allowed
 Y-translation allowed
 Z-translation allowed

X-rotation not allowed
 Y-rotation not allowed
 Z-rotation not allowed