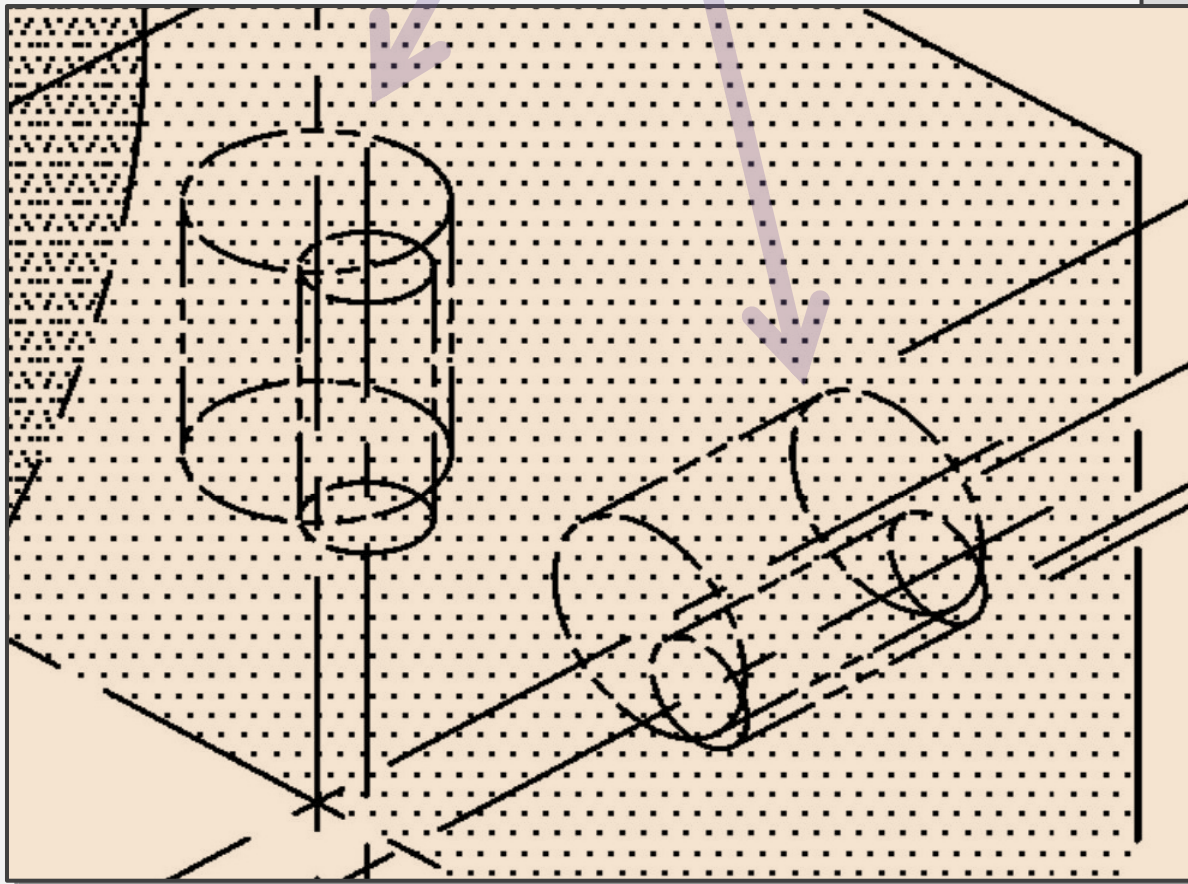
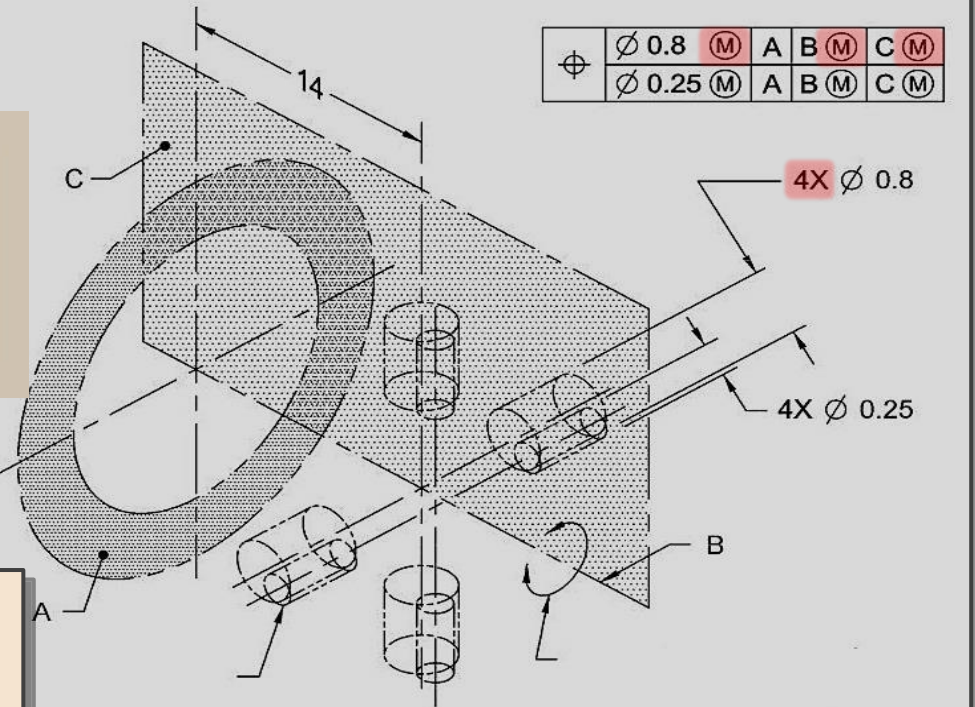


Pic 7-42

only two bores

⊕	∅ 0.8 (M)	A	B (M)	C (M)
	∅ 0.25 (M)	A	B (M)	C (M)



The mobility of the FRTZF:

- X-translation allowed
- Y-translation allowed
- Z-translation allowed
- X-rotation not allowed
- Y-rotation not allowed
- Z-rotation not allowed

The mobility of the ~~PLTZF~~:

- X-translation allowed