

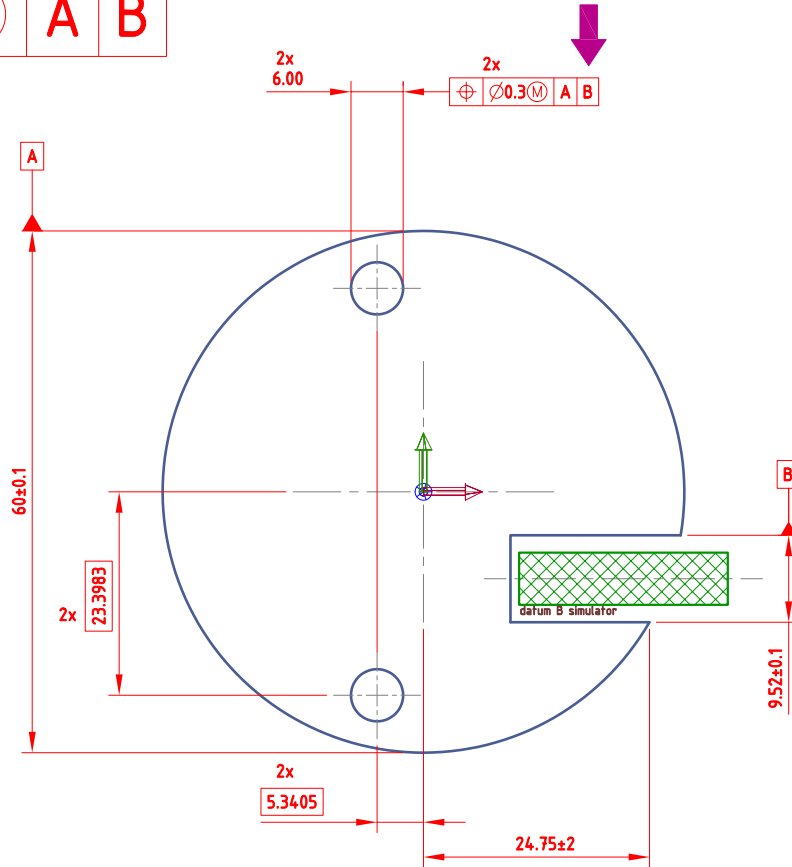
Mobility of datum B

Pic. #1

"BASIC" off



One-Step-Planar Alignment



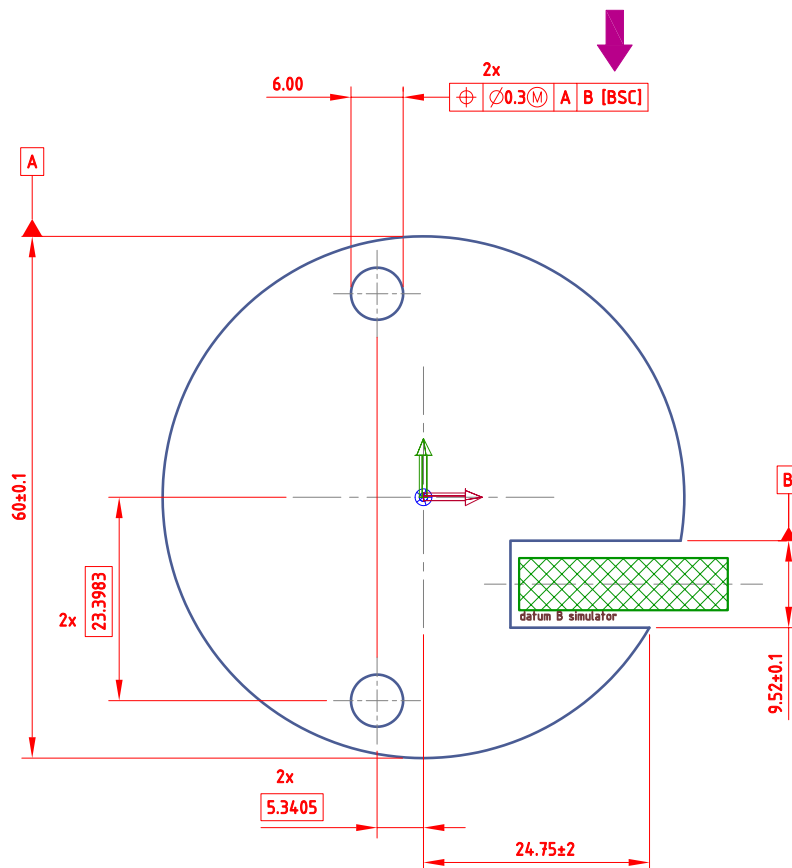
Releasing the mobility of the datum B simulator along the Y-axis



"BASIC" on



Two-Step-Planar Alignment



Stopping the mobility of the datum B simulator along the Y-axis

