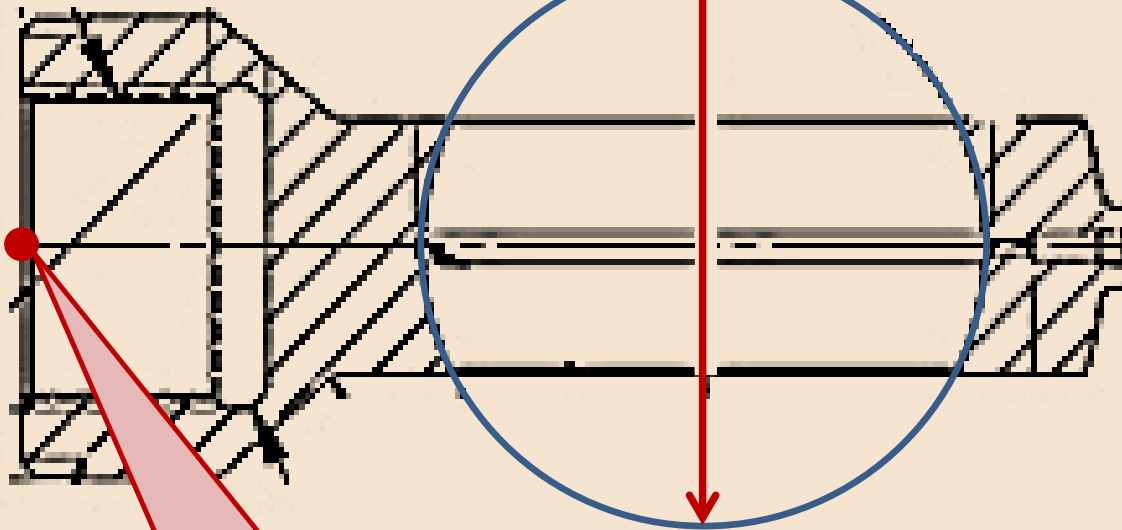


**A** PITCH DIA



The direction of the arrow is always the direction of tolerancing

The missing diameter symbol

⊕ .010 A B

basic dimension:  
0.0000

datum reference frame  
AB

planar alignment  
not required

