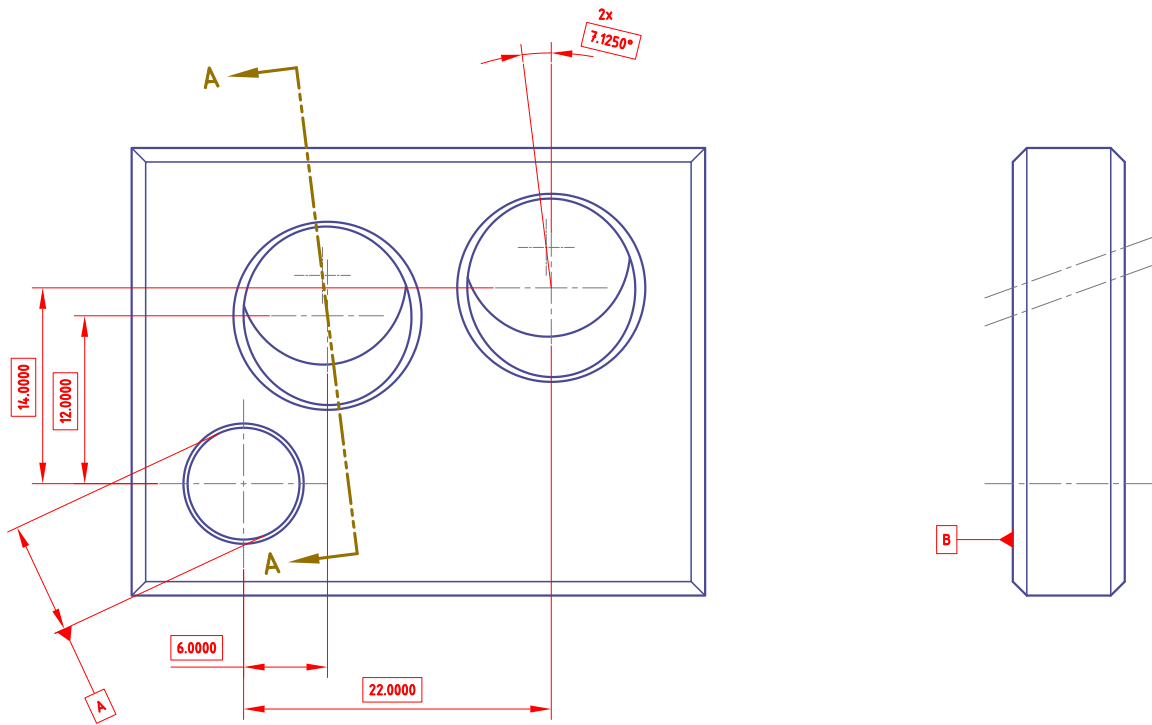
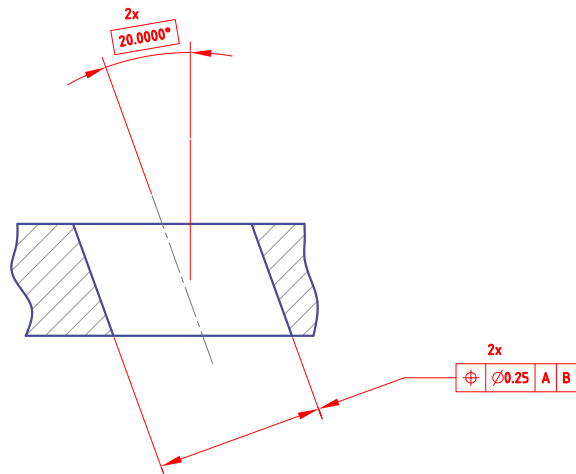


Dimensioning

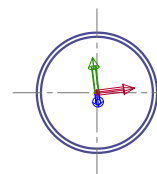
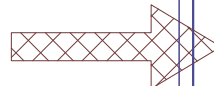
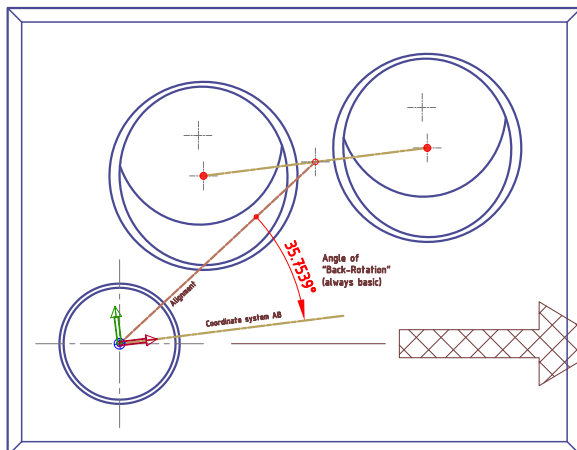
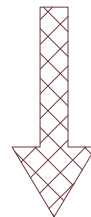
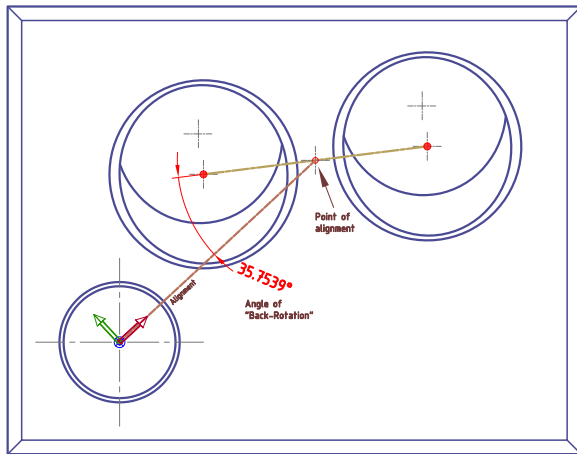
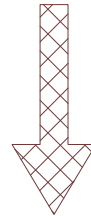
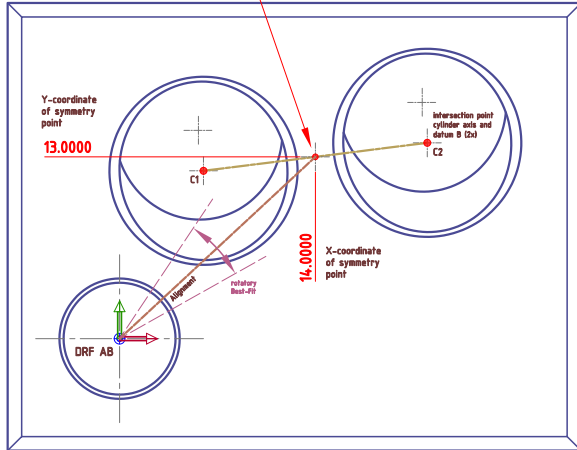


Section A-A



Planar alignment

The symmetry point represents the rotatory "Least Squares Best-Fit" of the points C1 and C2.

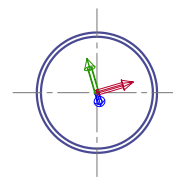
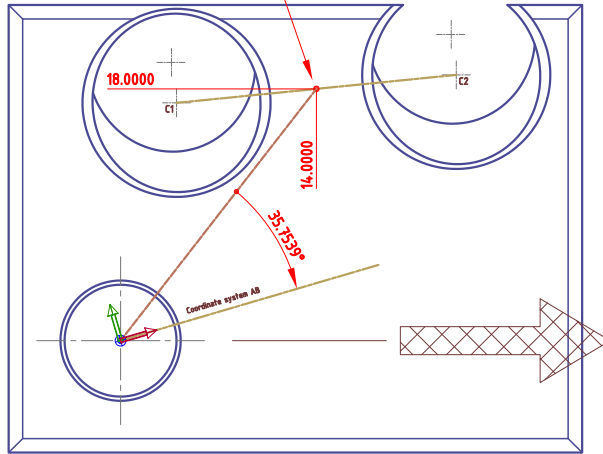


Coordinate system AB ready

Rotation 20.0000° around X axis and then: evaluation of True Position

Actual dimensions

The symmetry point represents the rotatory "Least Squares Best-Fit" of the points C1 and C2.



Coordinate system AB ready
Rotation 20.0000°
around X axis
and then:
evaluation of True Position