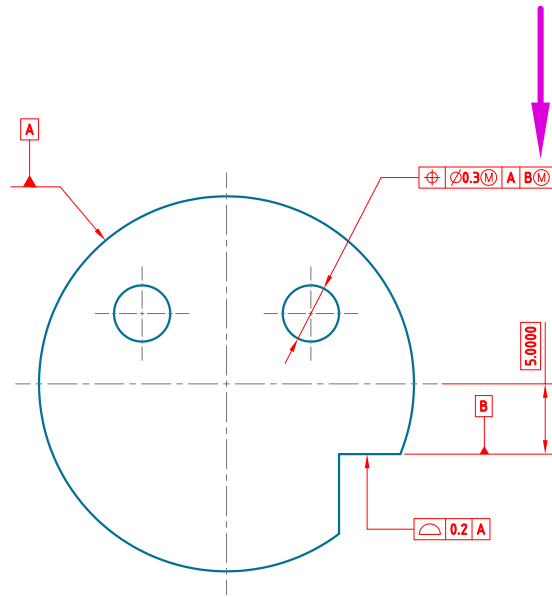


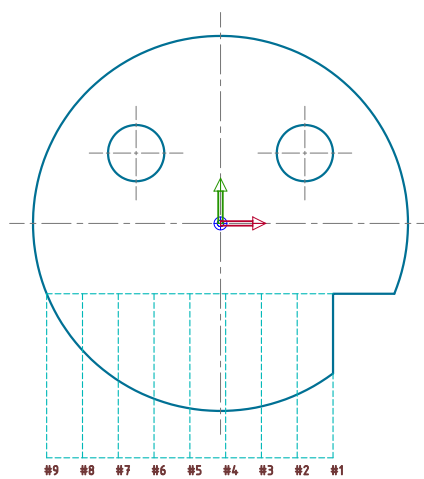
# Dimensioning #1

Pic. #1

Datum B and MMC

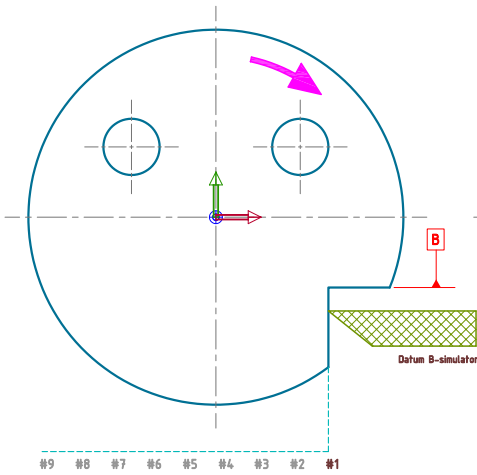


Several extensions of datum B

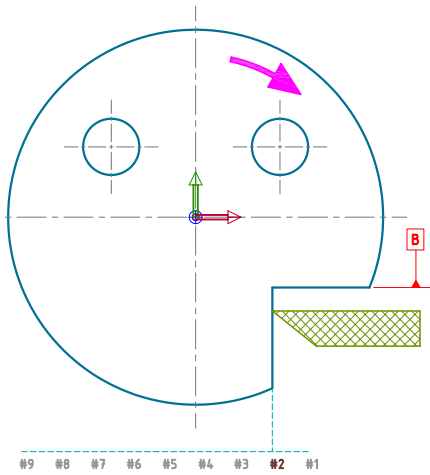


Datum B and MMC

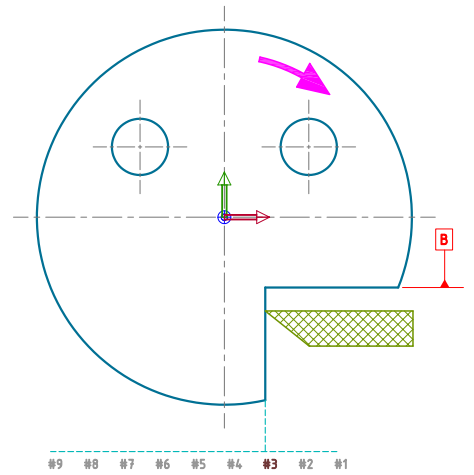
The "Click"-phenomenon



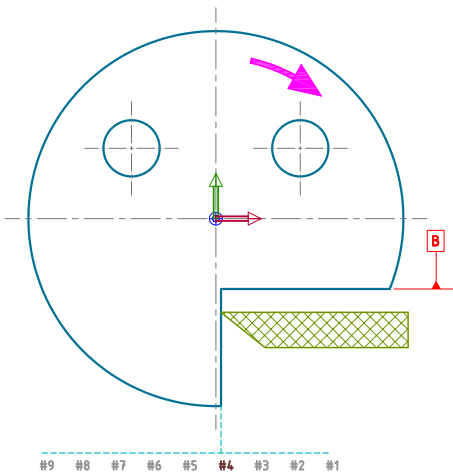
The "Click"-phenomenon



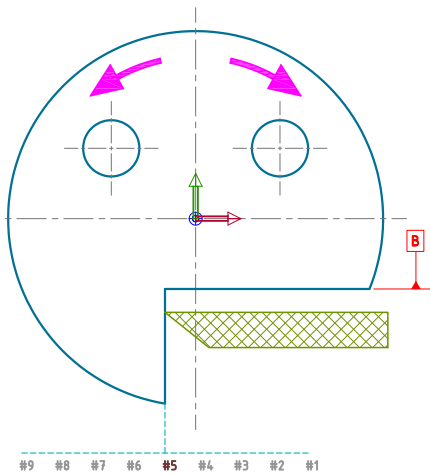
The "Click"-phenomenon



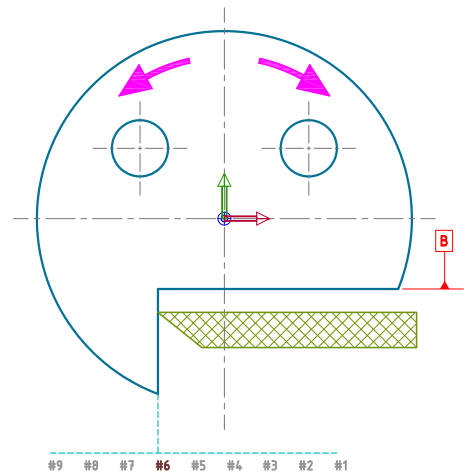
The "Click"-phenomenon



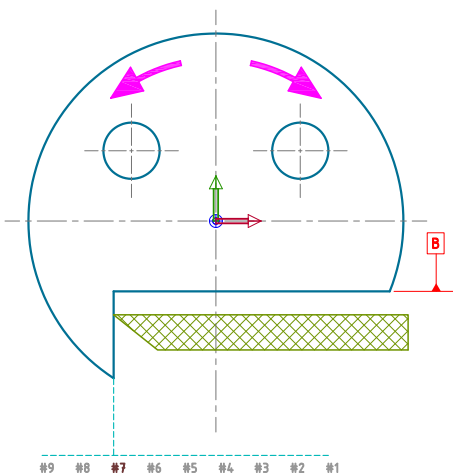
The "Click/Clack"-phenomenon



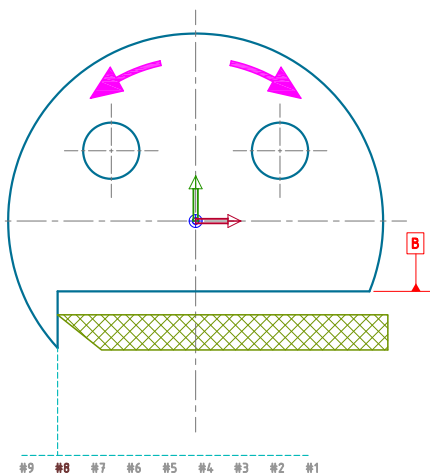
The "Click/Clack"-phenomenon



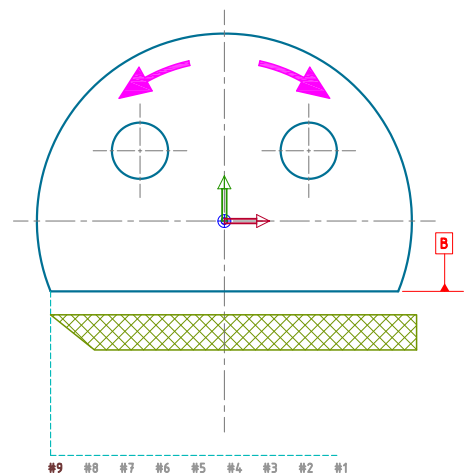
The "Click/Clack"-phenomenon



The "Click/Clack"-phenomenon

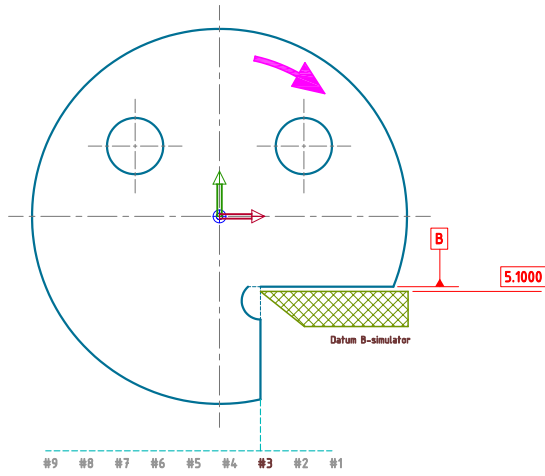


The "Click/Clack"-phenomenon

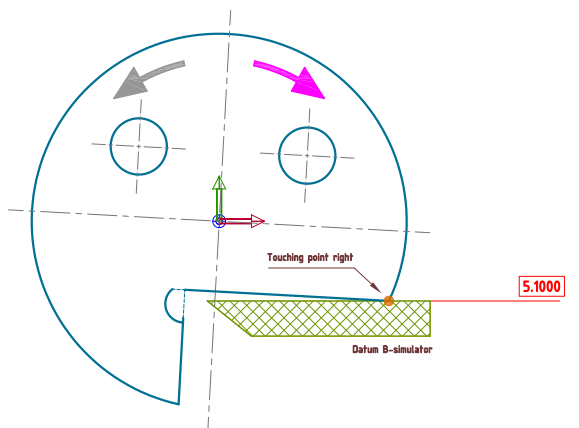
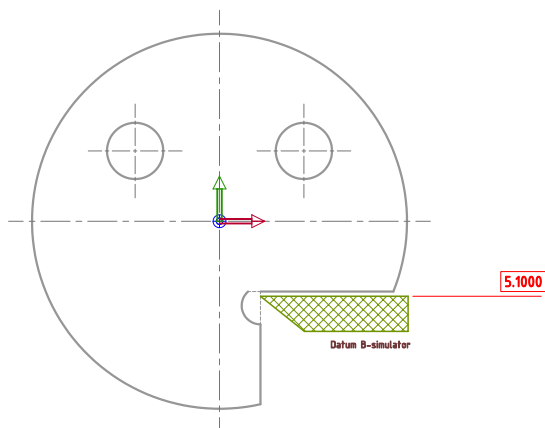
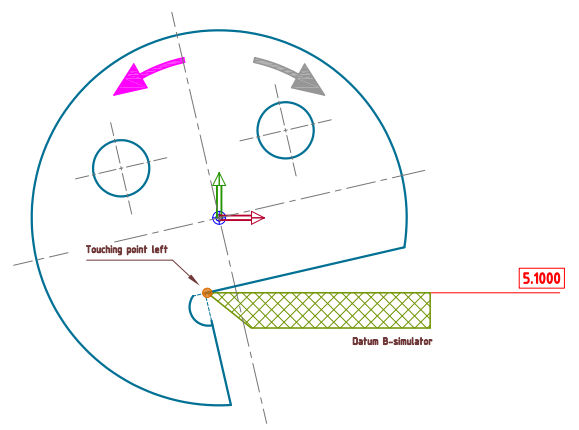
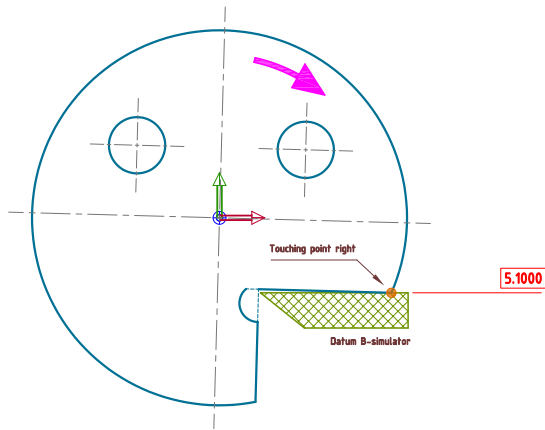
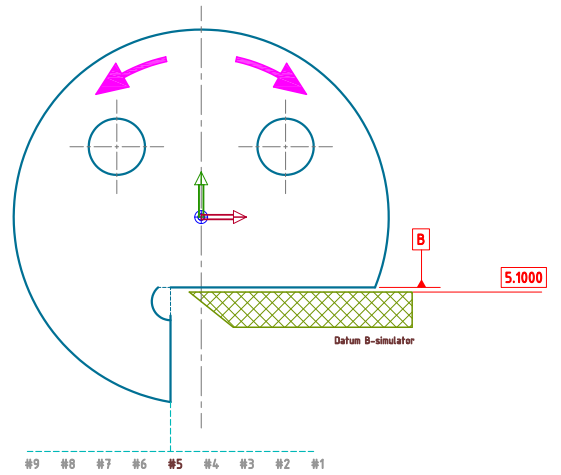


Datum B and MMC

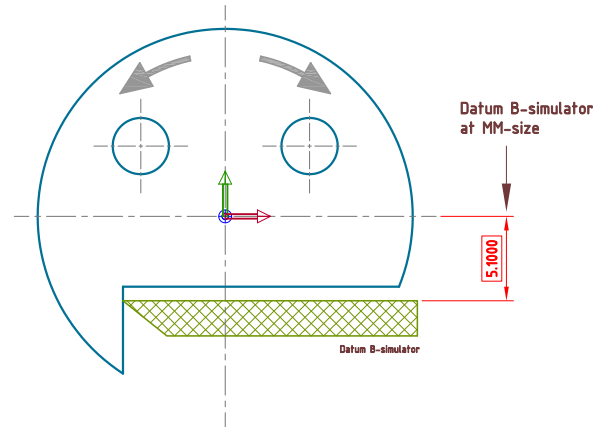
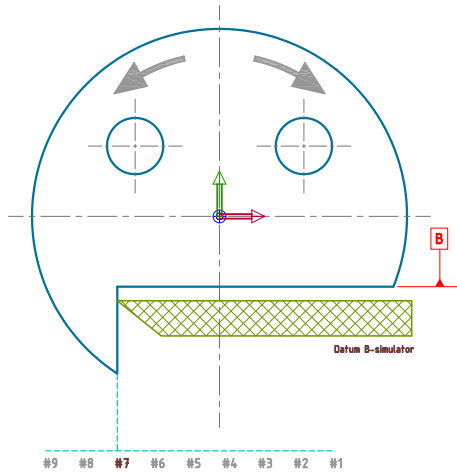
The "Click"-phenomenon



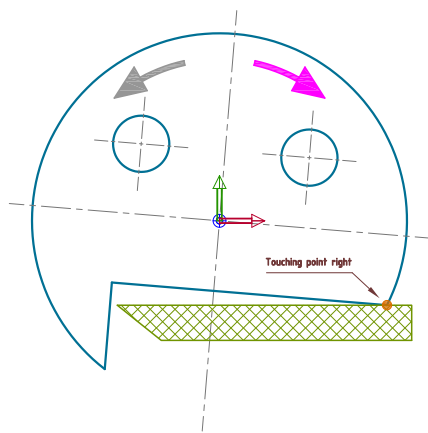
The "Click/Clack"-phenomenon



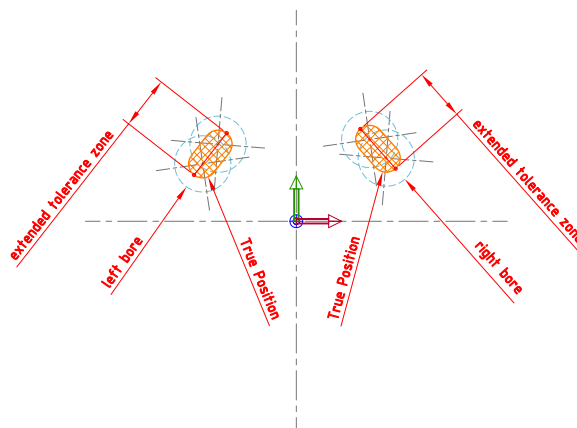
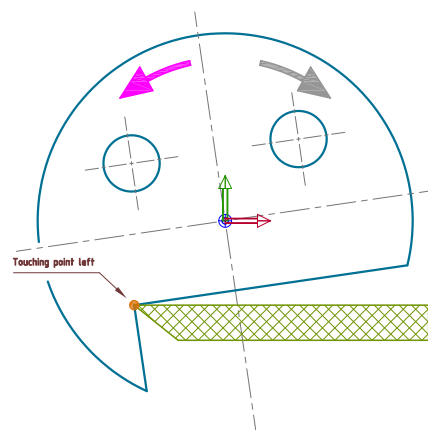
## Datum B and MMC Extended tolerance zones



Right-rotation



Left-rotation



The MMC on datum B works when regarding a geometry like above.  
It's obligatory to realize a left-right-rotation in order to achieve a complete extended tolerance zone.