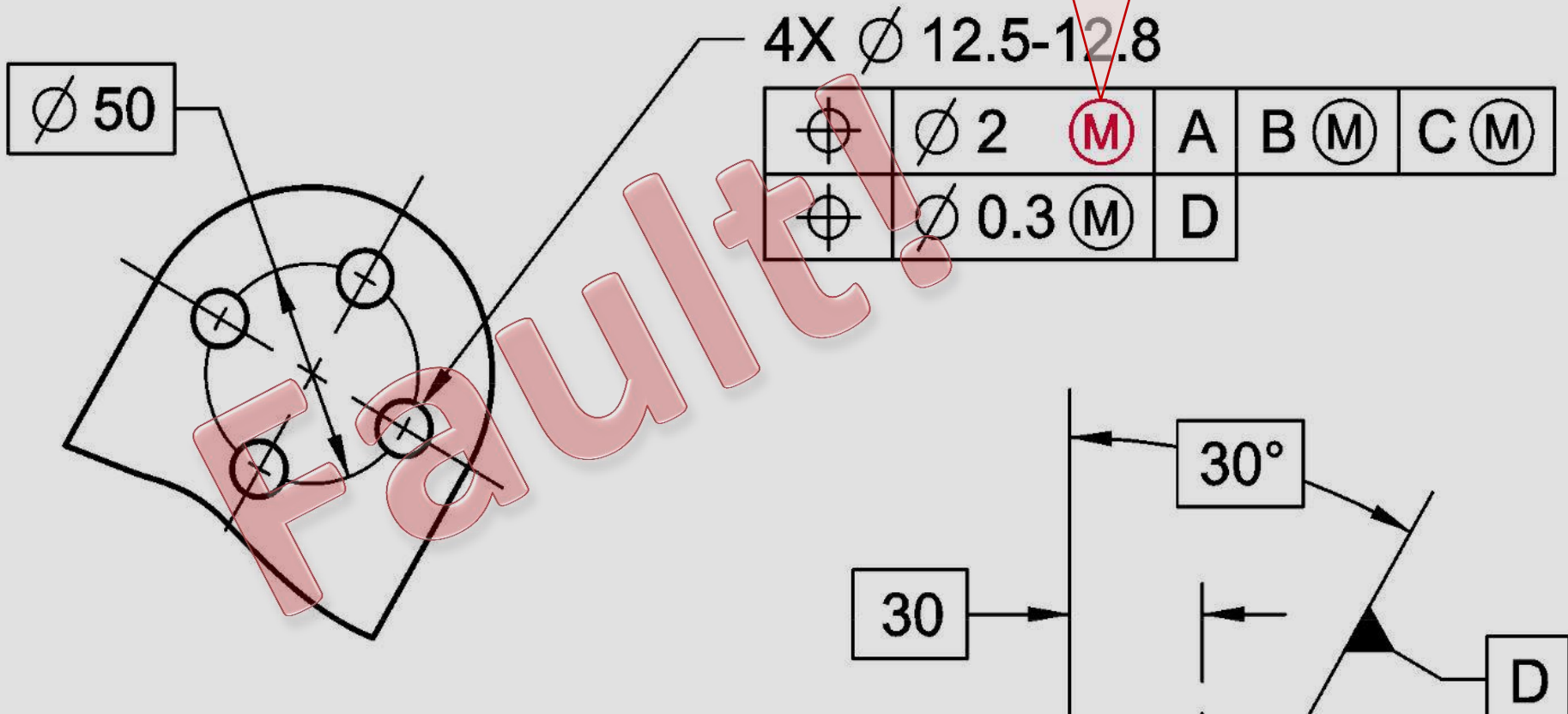


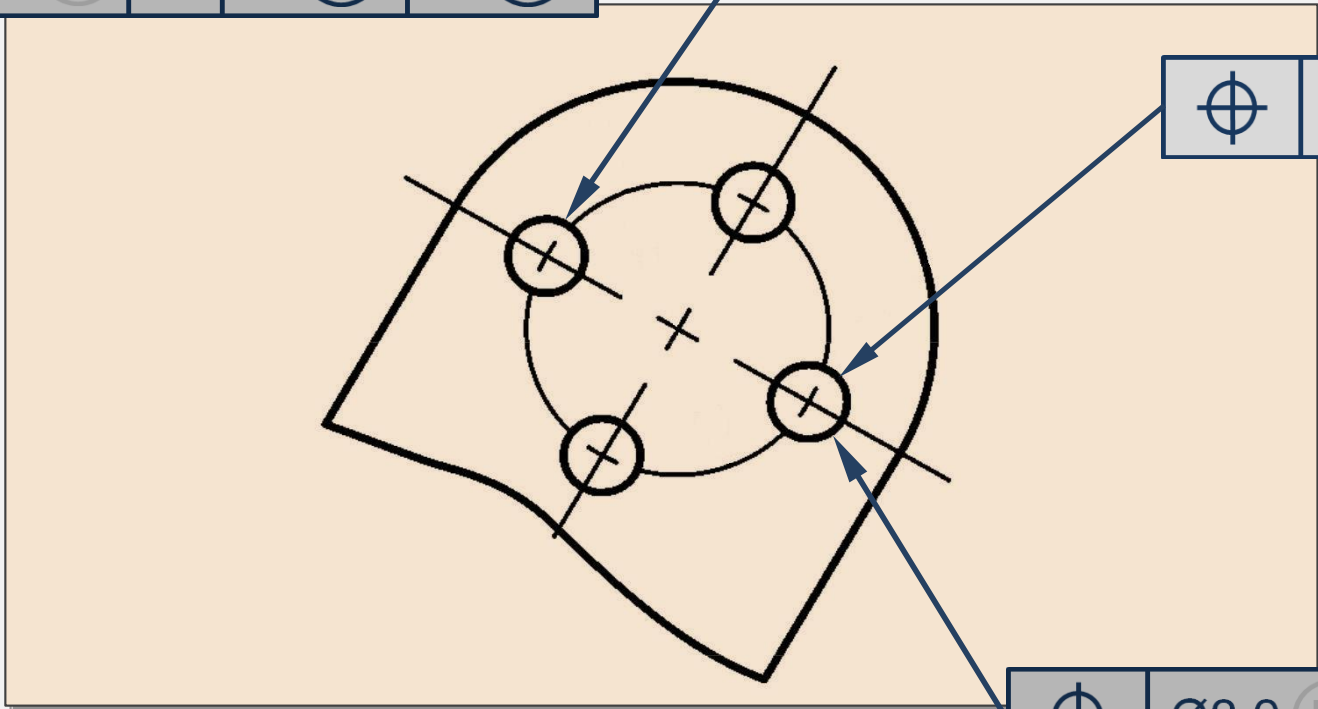
The (M) here does not mean anything



the rotatory position of the virtual assembled part

1x

$\oplus$	2.0	(M)	A	B (M)	C (M)
----------	-----	-----	---	-------	-------



3x

$\oplus$	$\varnothing 0.3$	(M)	D
----------	-------------------	-----	---

the virtual assembled part has to fit

1x

$\oplus$	$\varnothing 2.0$	(M)	A	B (M)	C (M)
----------	-------------------	-----	---	-------	-------

the translatory position of the virtual assembled part