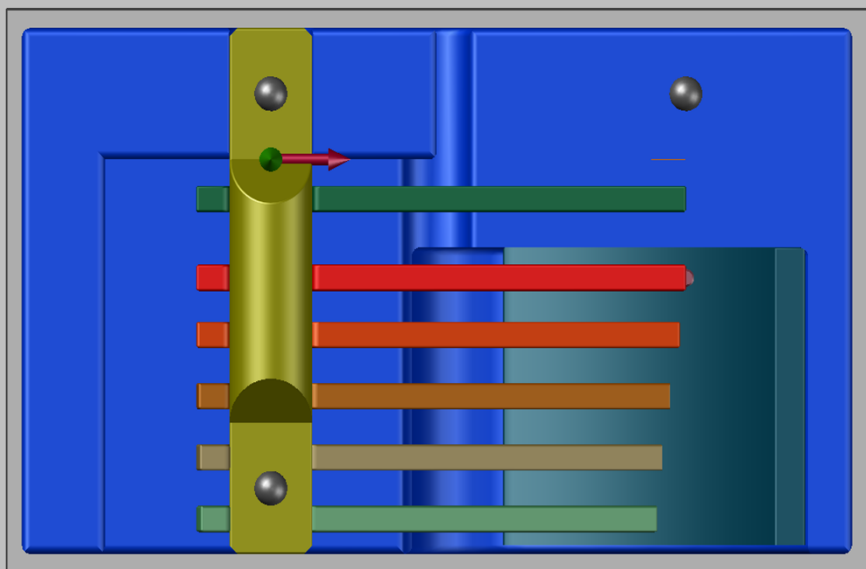
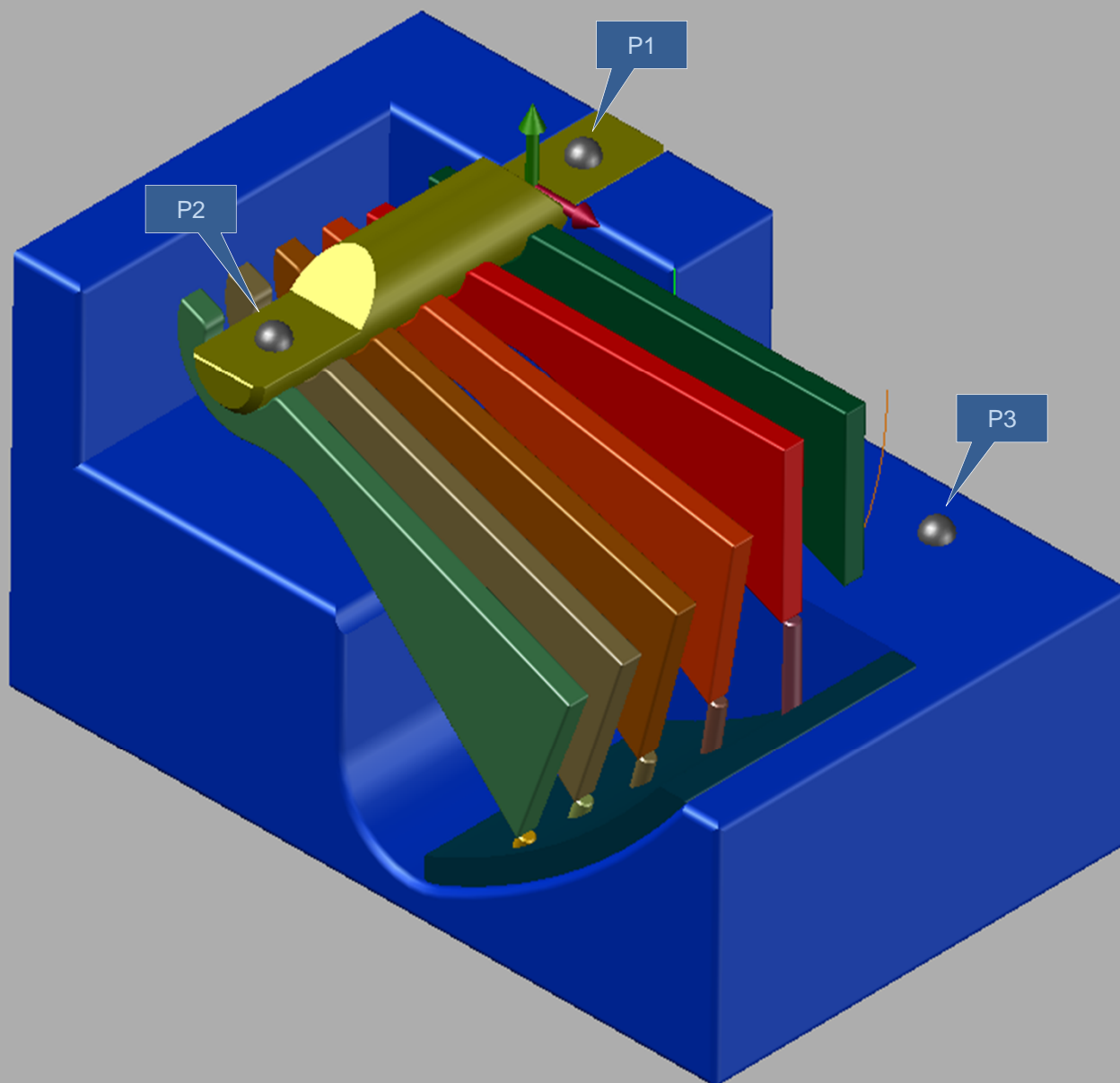
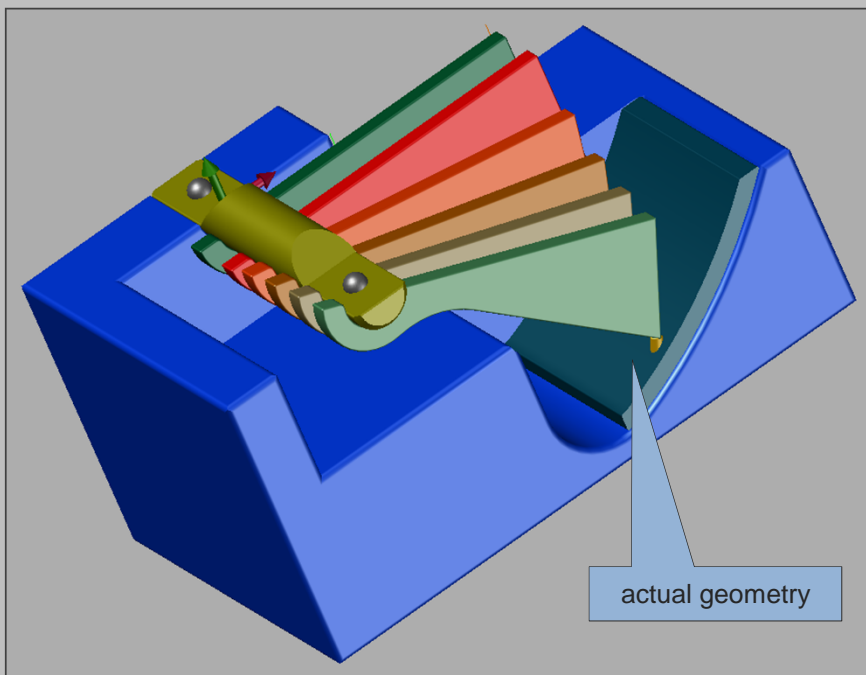
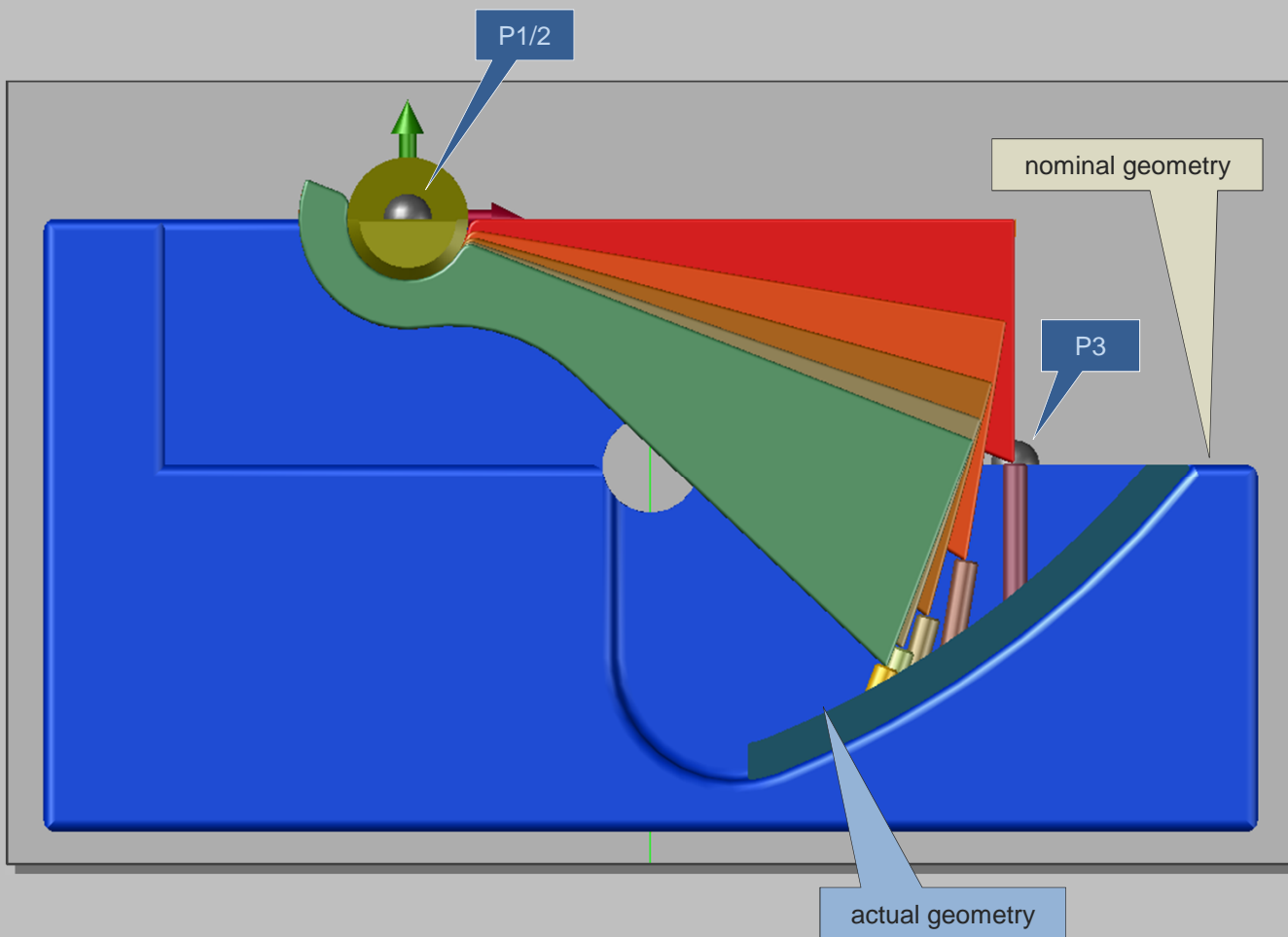


RPS Alignment and A-Value

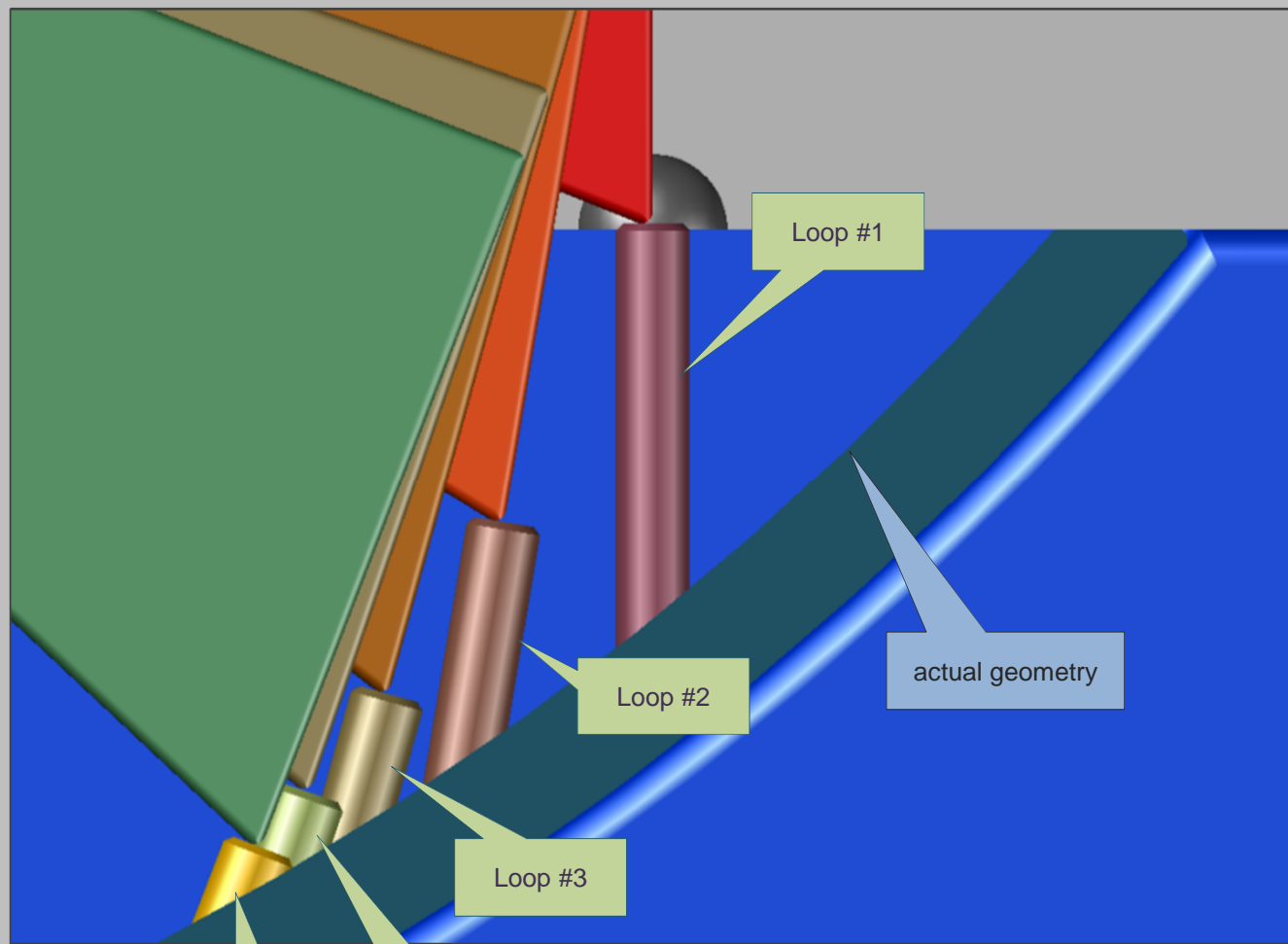


RPS Alignment and A-Value

Regarding the inaccuracy of fixture and part - geometry.



RPS Alignment and A-Value



Loop #5

Loop #4

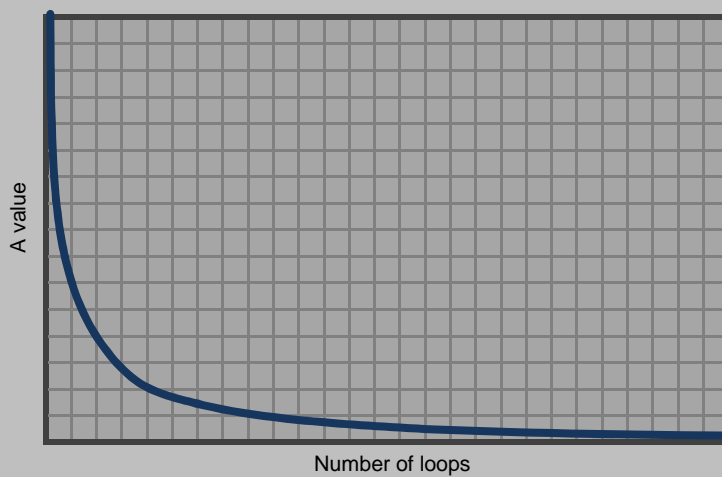
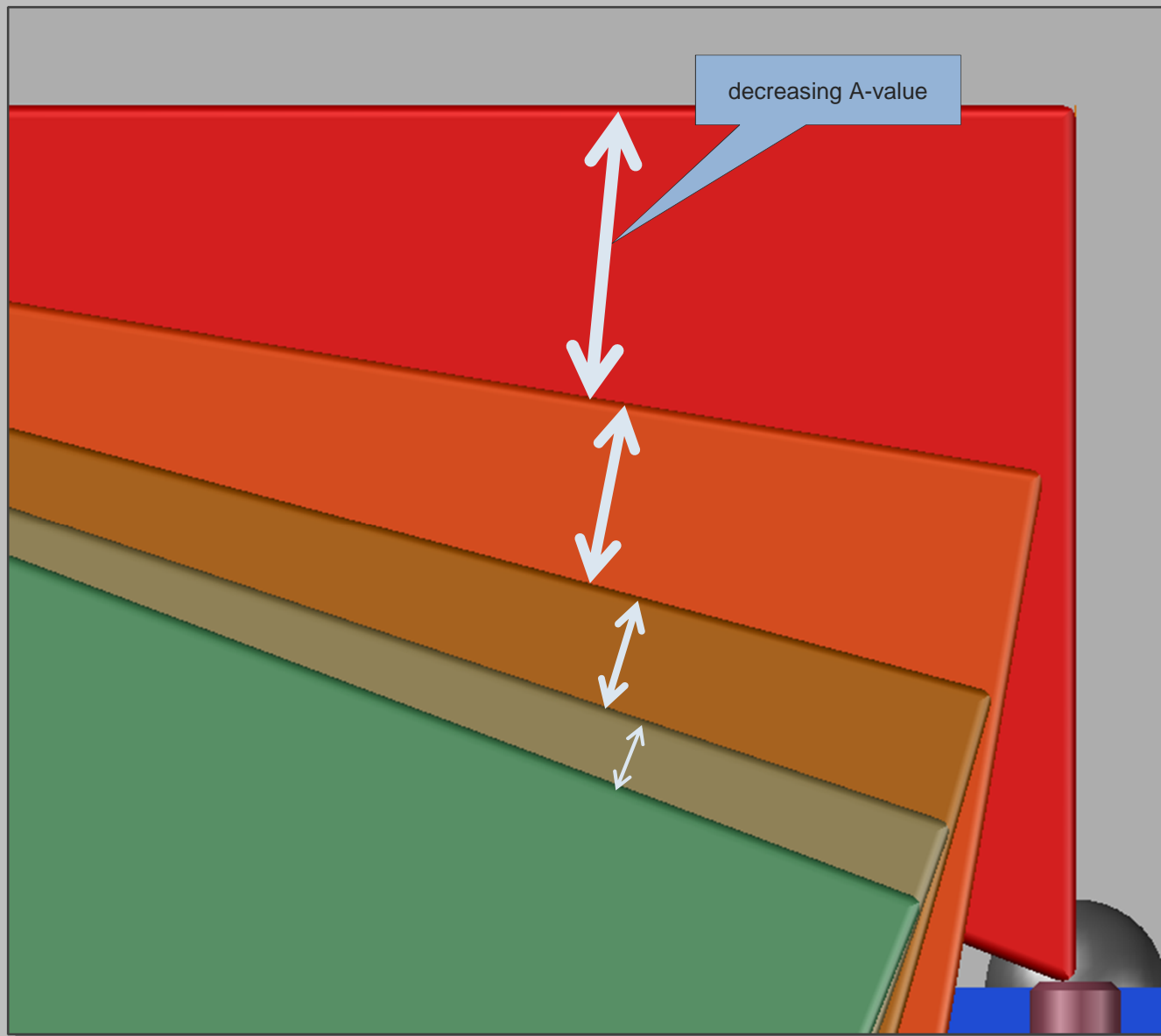
Loop #3

Loop #2

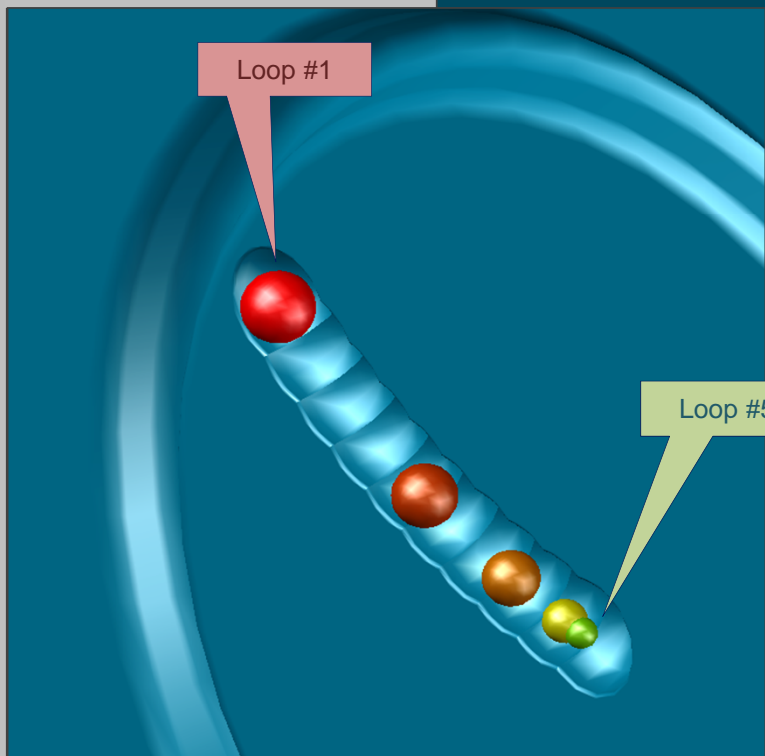
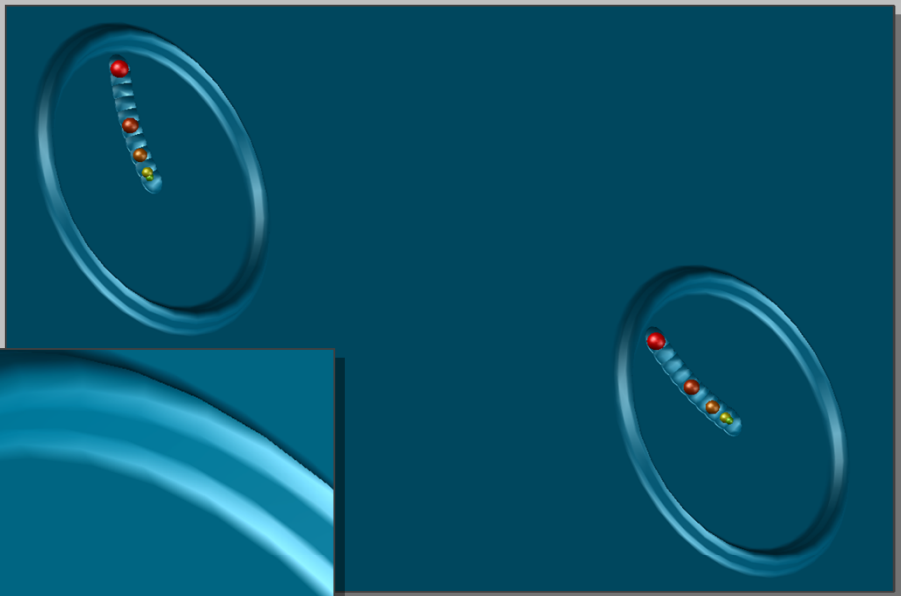
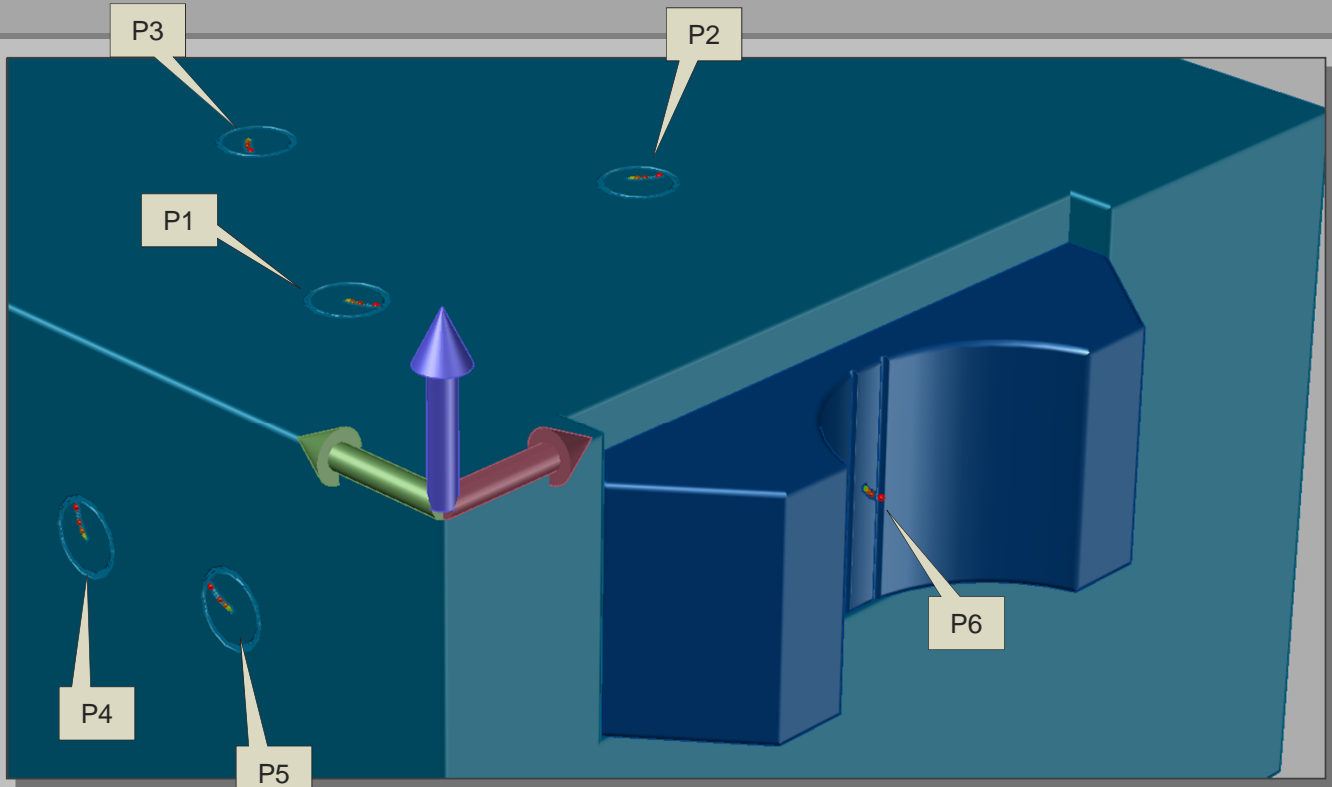
Loop #1

actual geometry

RPS Alignment and A-Value



RPS Alignment and A-Value



Always creating tracks on the surface of the geometry.