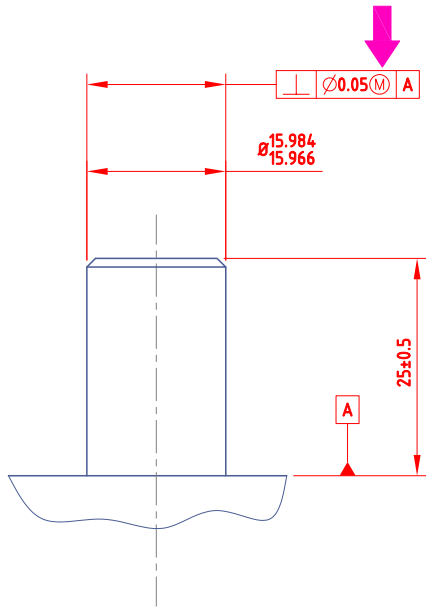


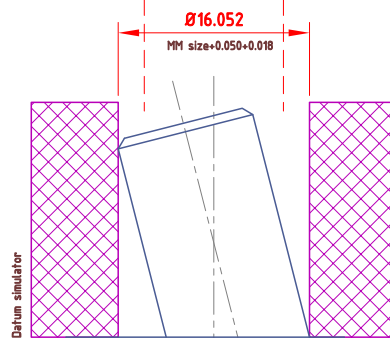
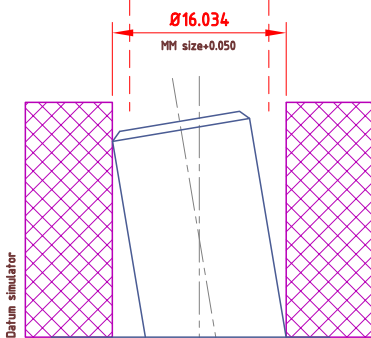
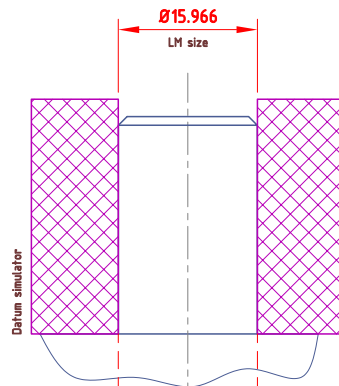
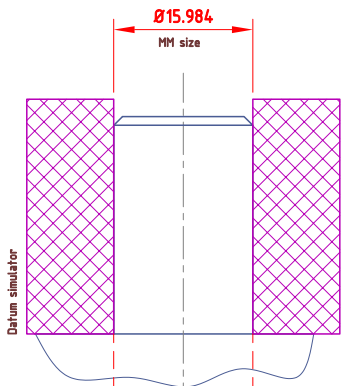
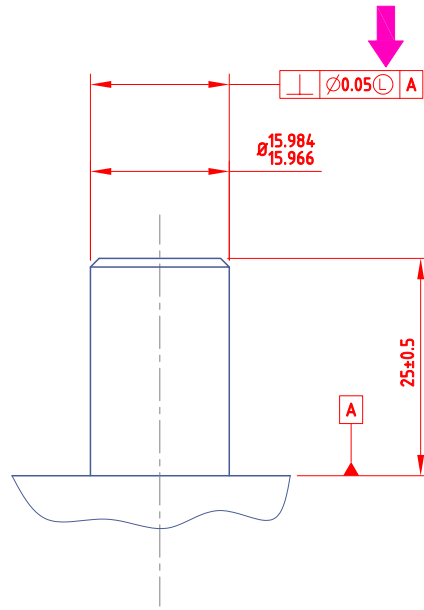
Perpendicularity and boundary

Pic. #1

Dimensioning #1



Dimensioning #2



← → Functional boundary can be used as datum B simulator (gage)

← → Functional boundary can be used as datum B simulator (gage)