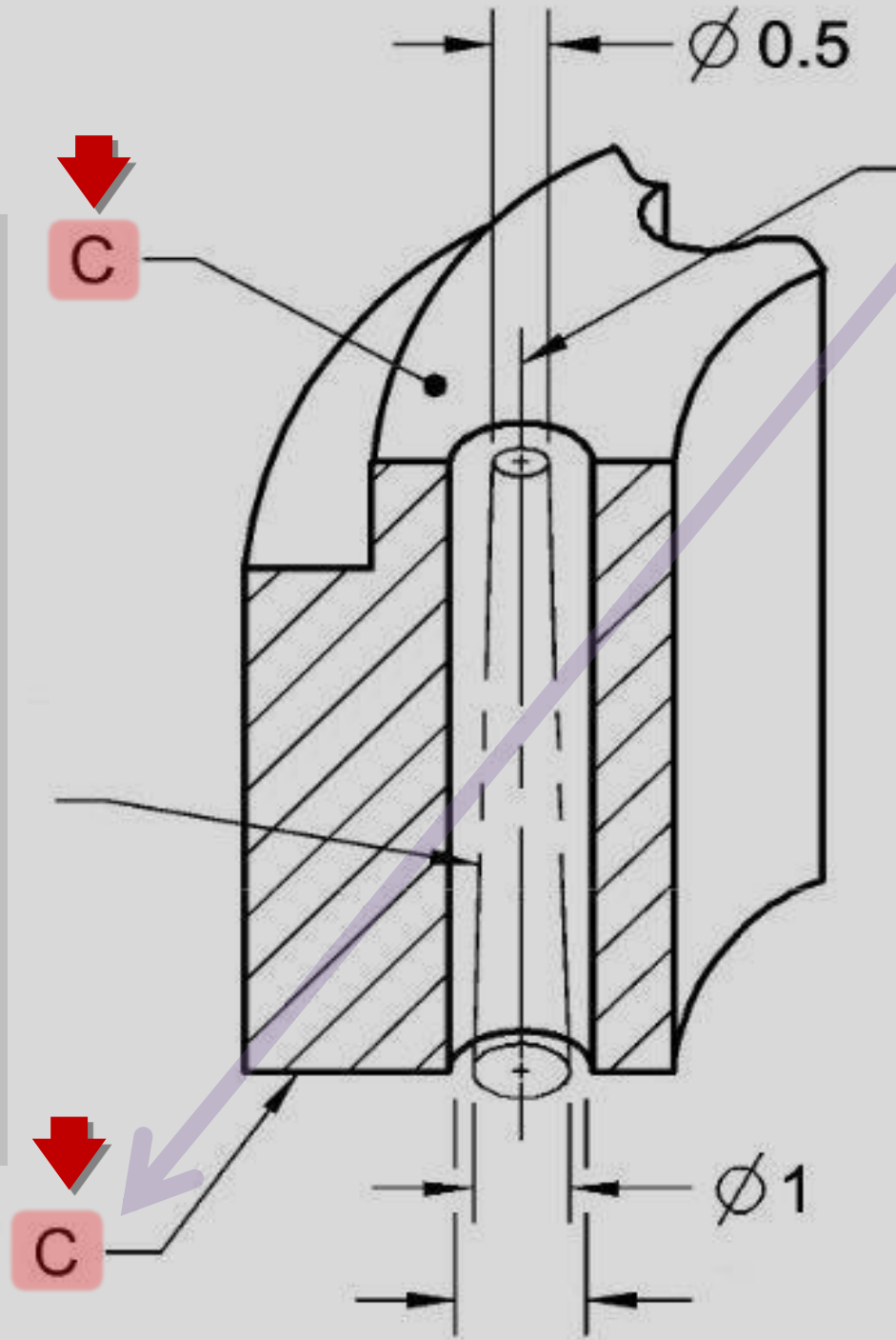
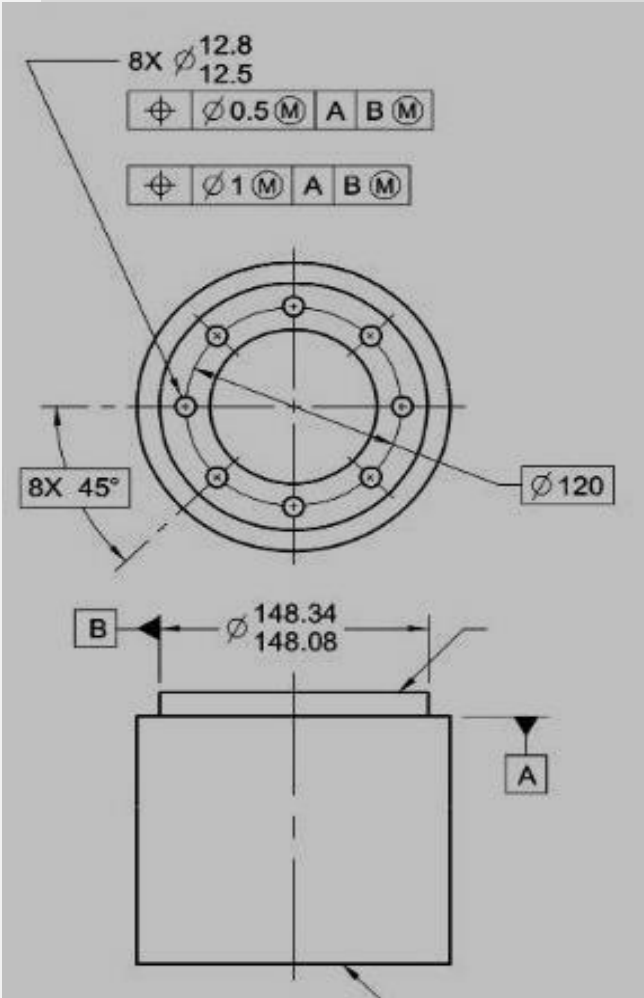


**Pic 7-27**



So, what is the meaning of the "lower" C