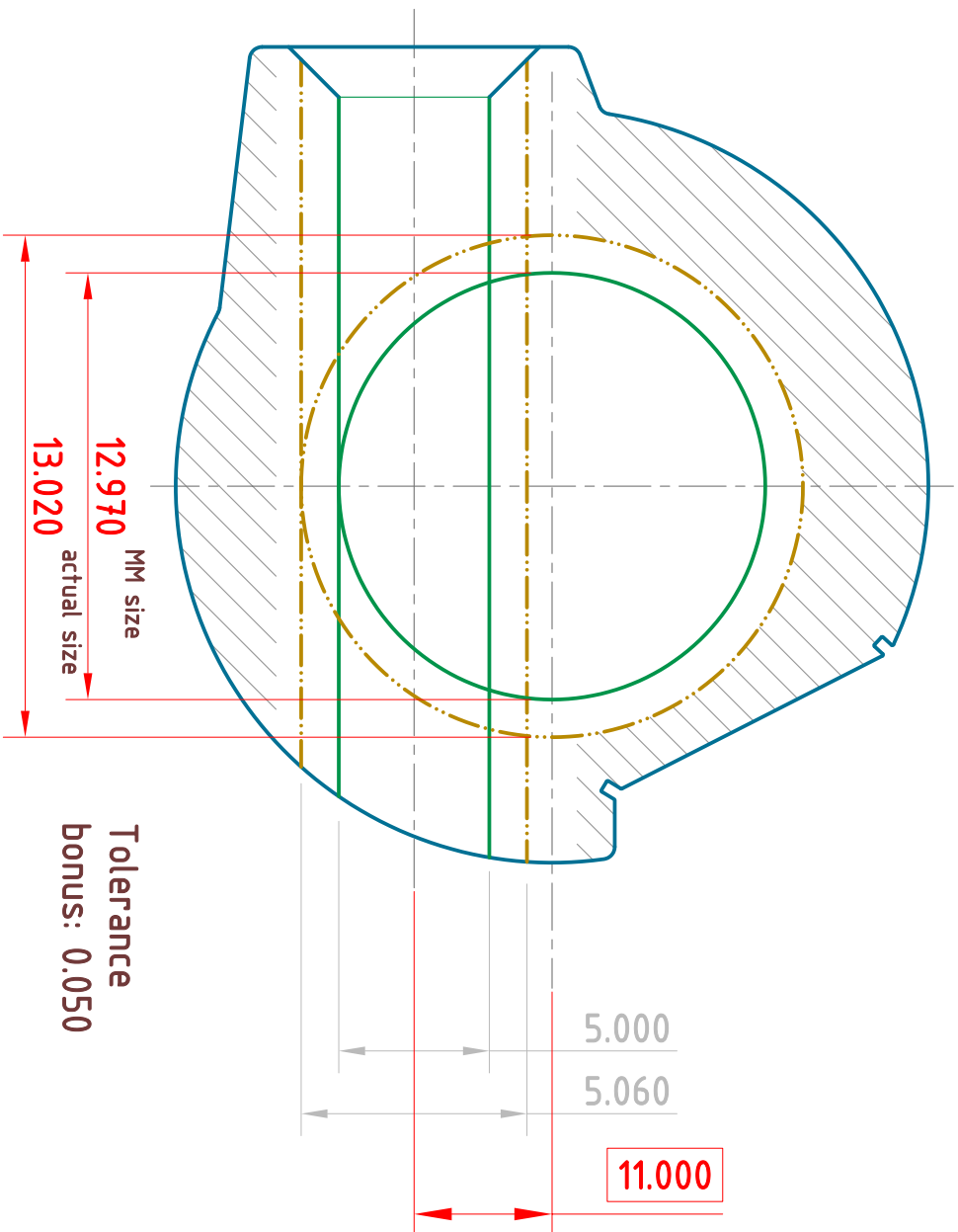
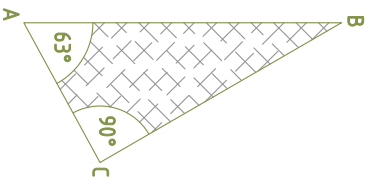
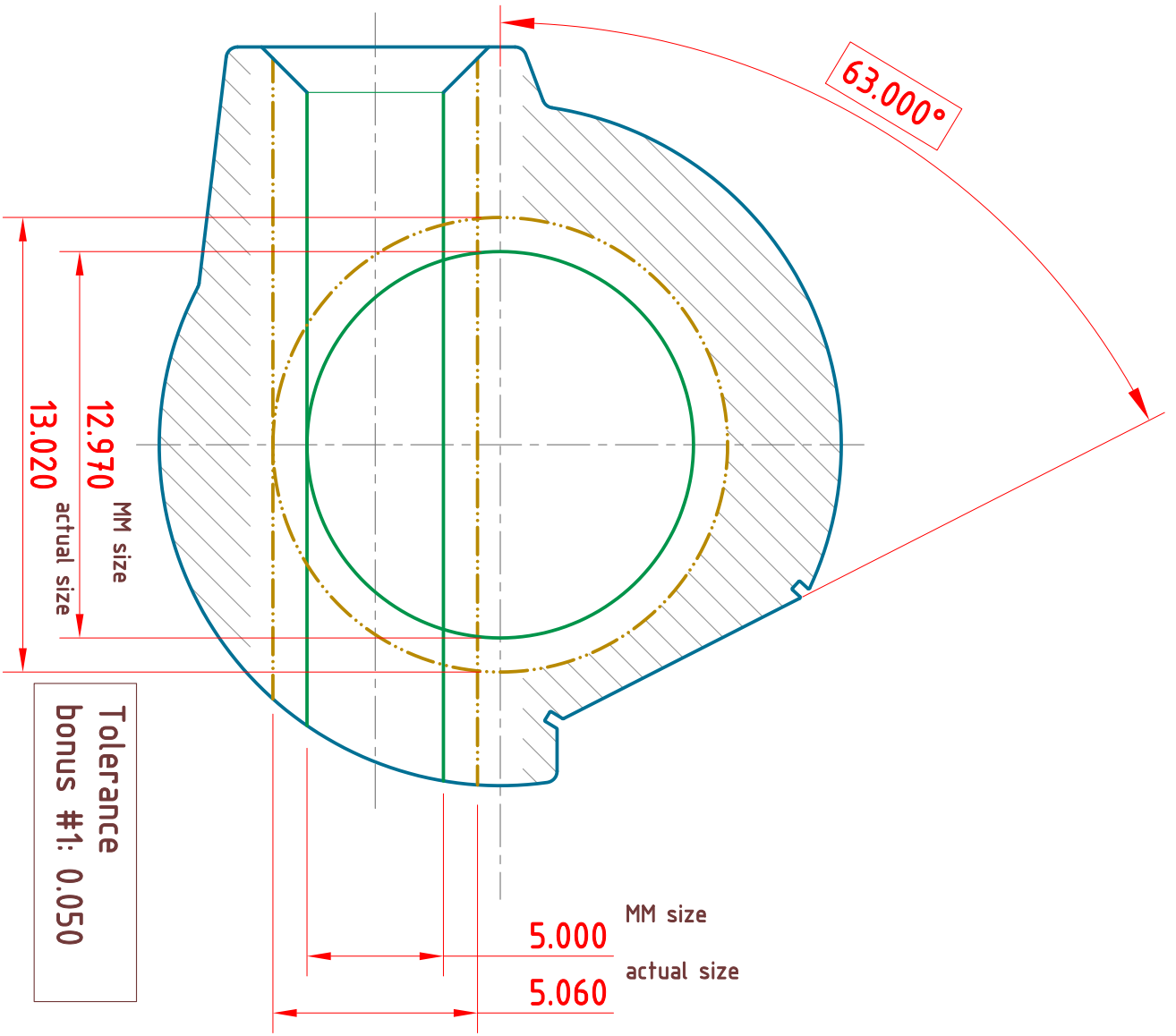


diameter symbol not allowed



⊕ 0.20 A(M)

New Tolerance:  
 0.20  
 plus  
 0.05  
 yields  
 0.25

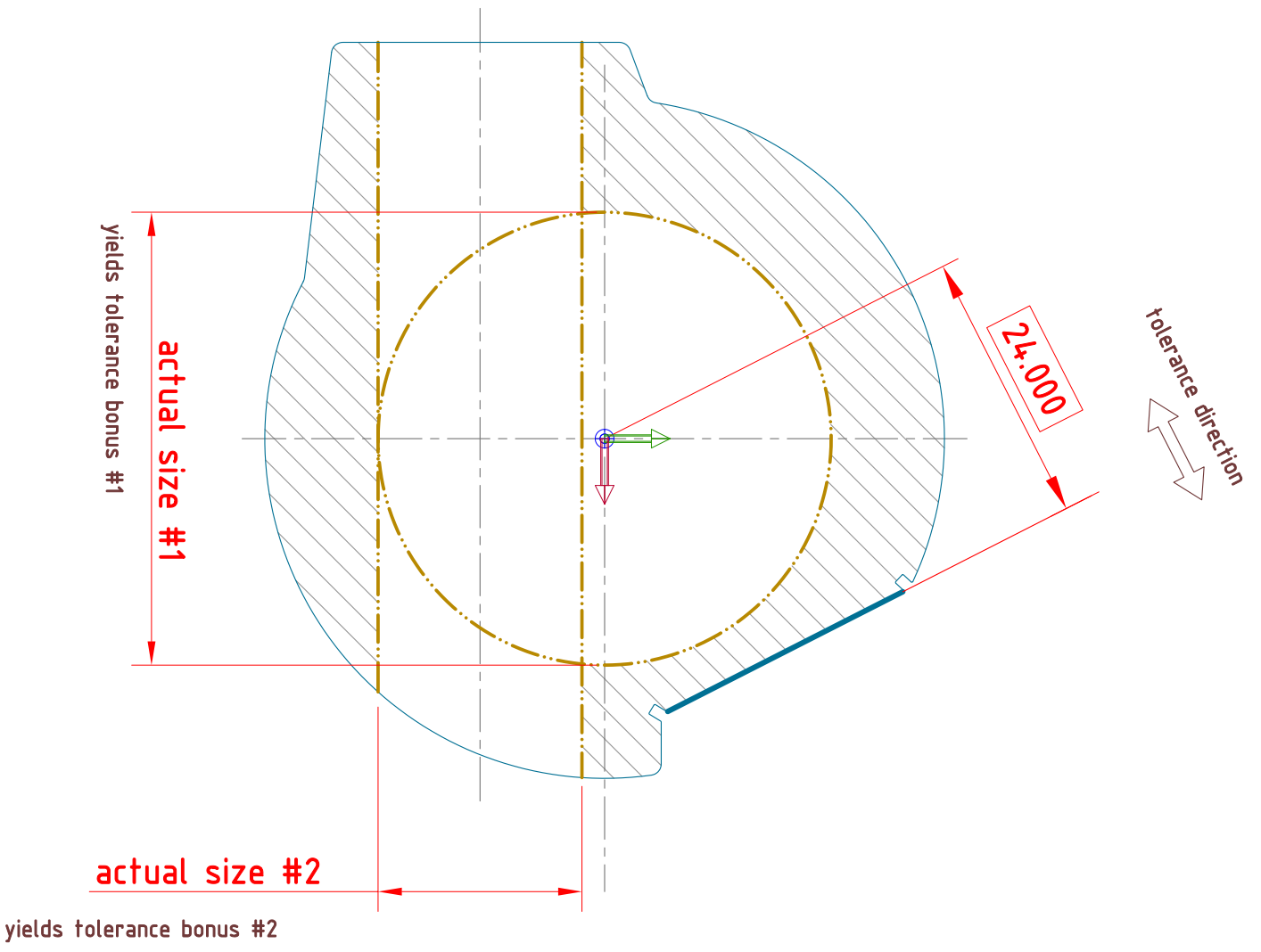





Distance AB=0.060

Distance AC=cos(63°)\*AB

Distance AC=0.0272

Tolerance  
bonus #2: 0.027




**0.18**





if bonus #1 < bonus #2 then

New Tolerance:

0.18

plus

0.05

yields

0.23

if bonus #2 < bonus #1 then

New Tolerance:

0.18

plus

0.03

yields

0.21