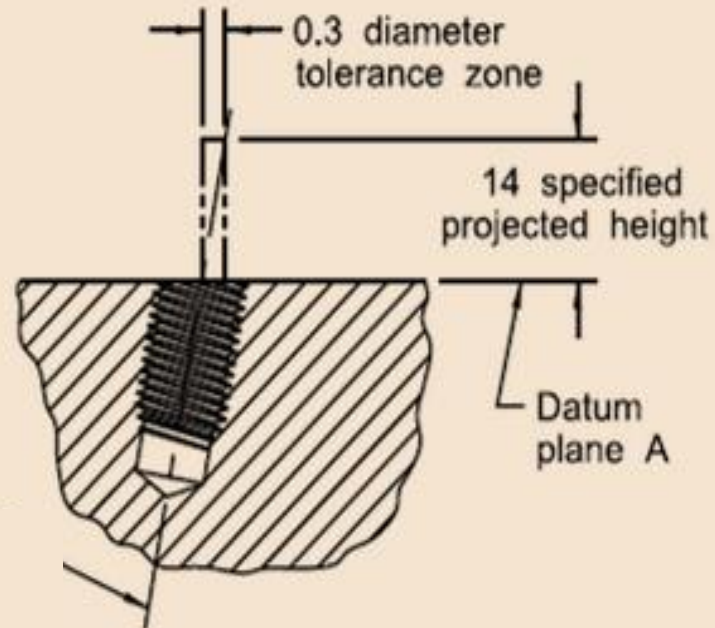
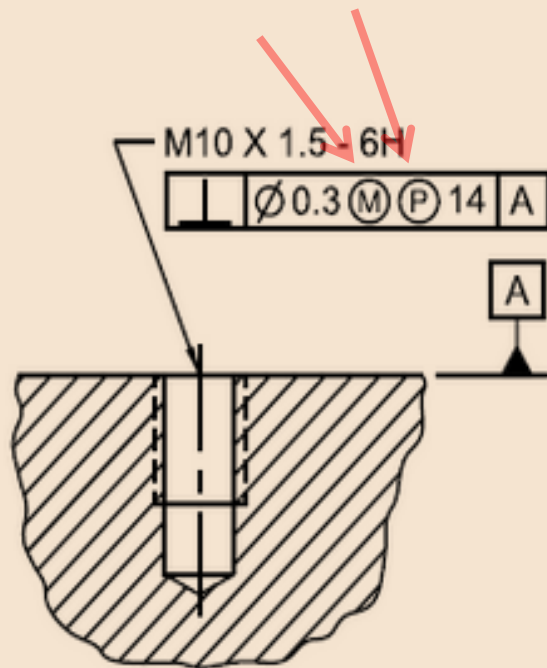


Before correction

This on the orthographic view



After correction

This on the orthographic view

