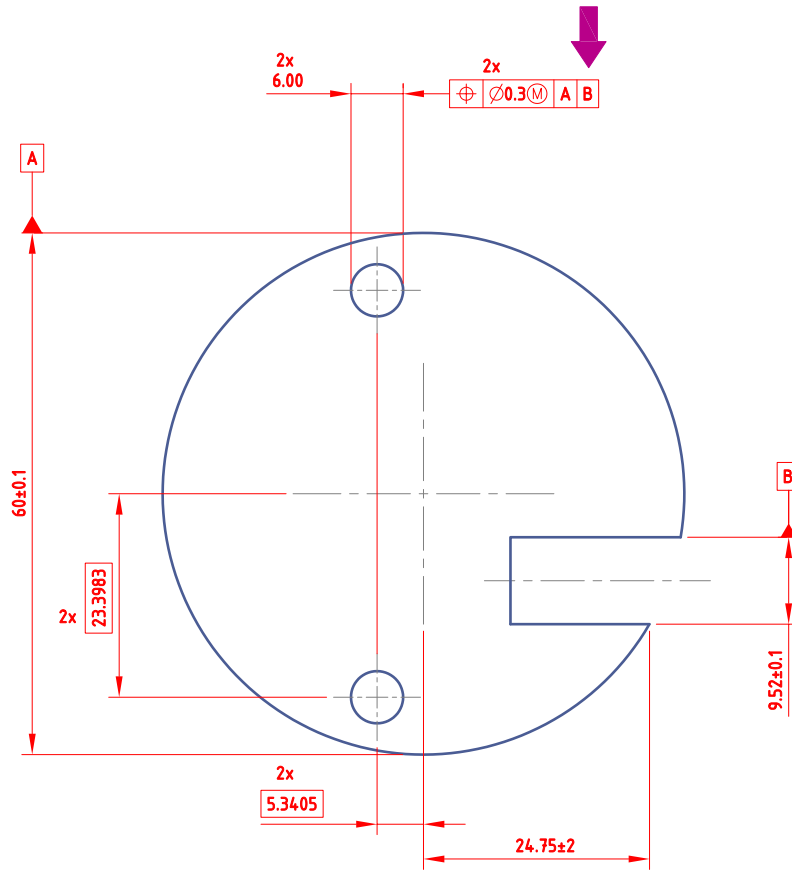
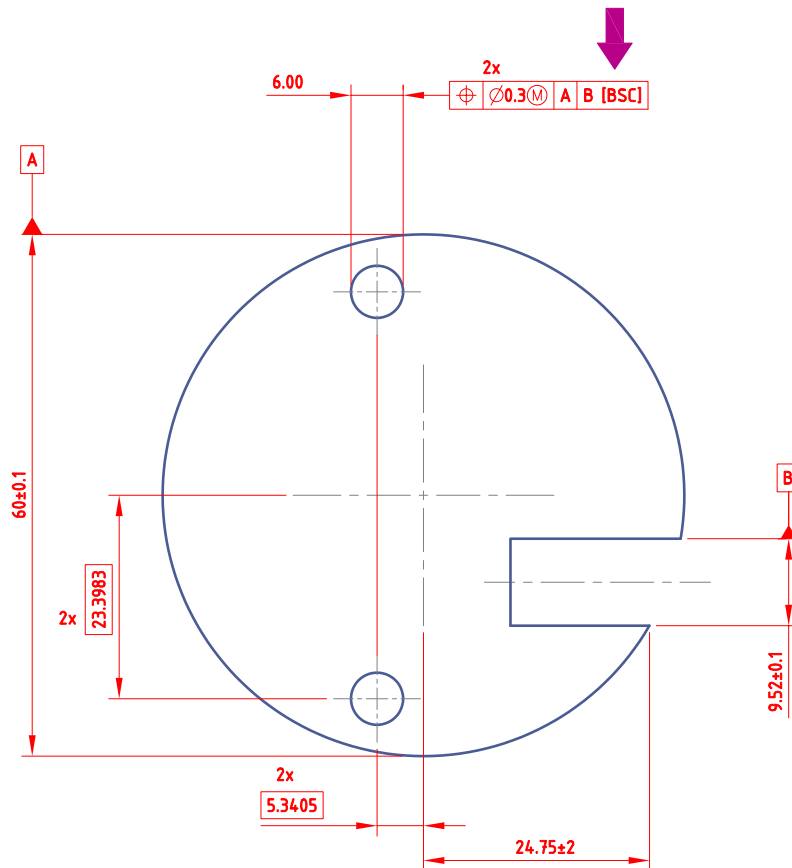


## Dimensioning #1



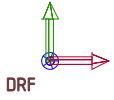
## Dimensioning #2



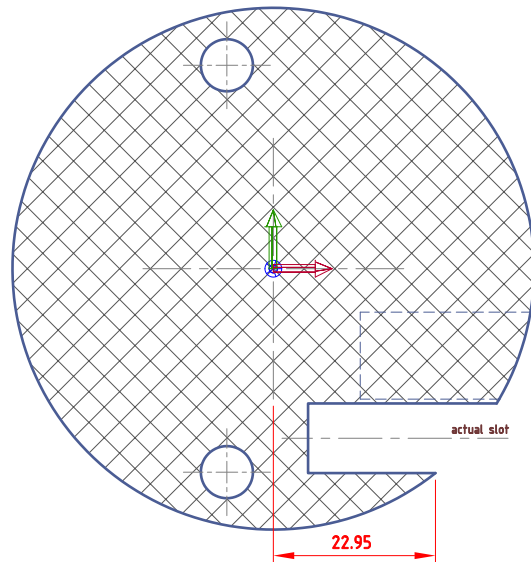
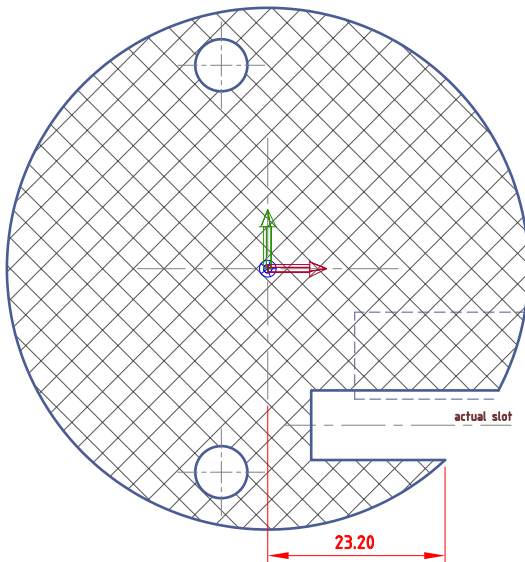
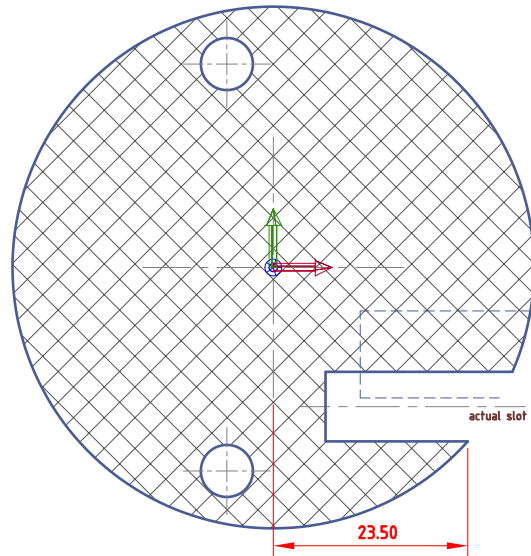
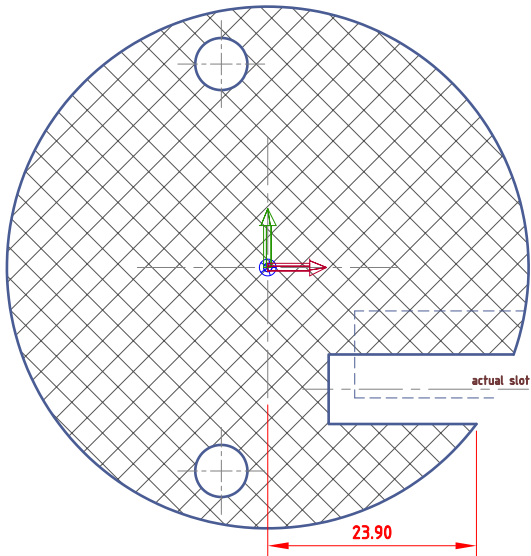
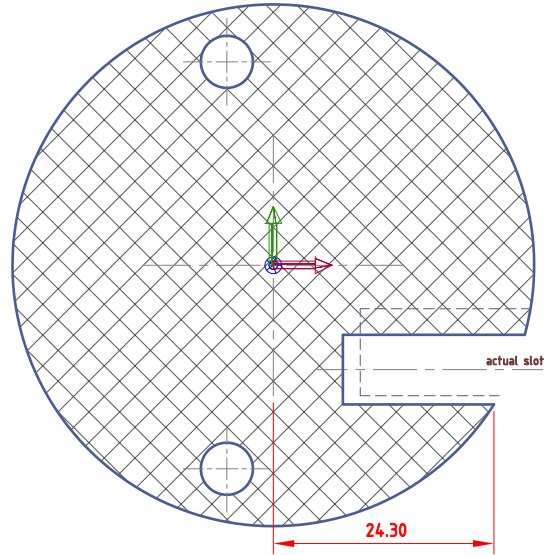
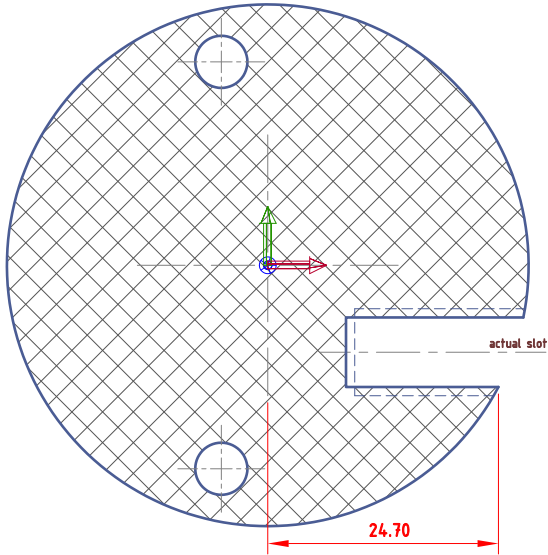
# No modifier on datum B

Pic. #2

Actual location of the slot (6x)



X axis of DRF *always parallel* to axis of the slot.  
No modifier needed.

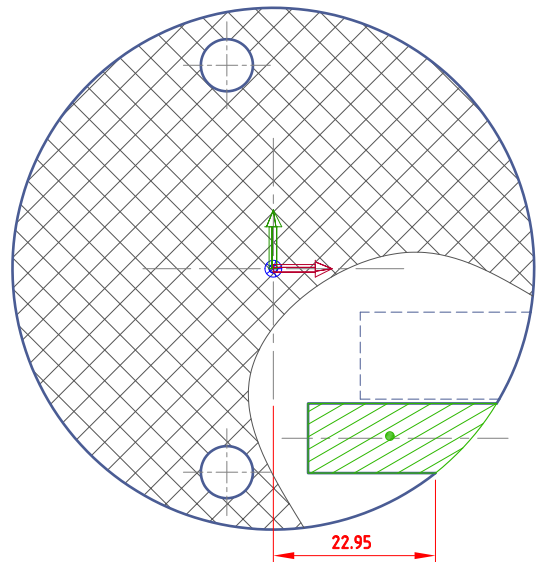
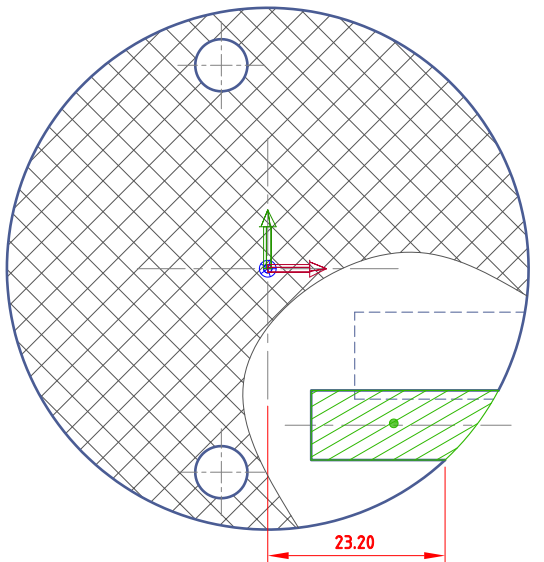
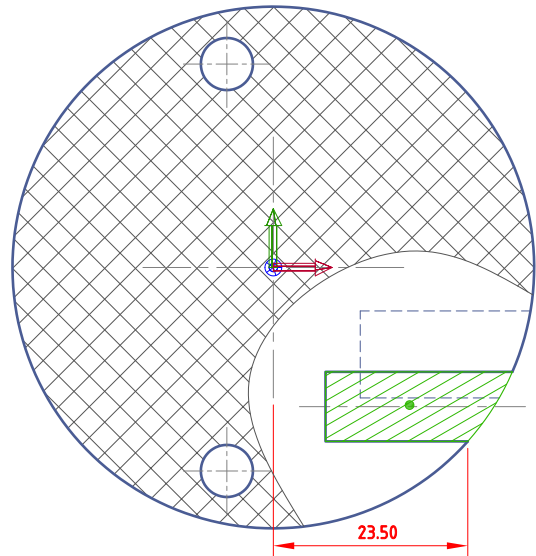
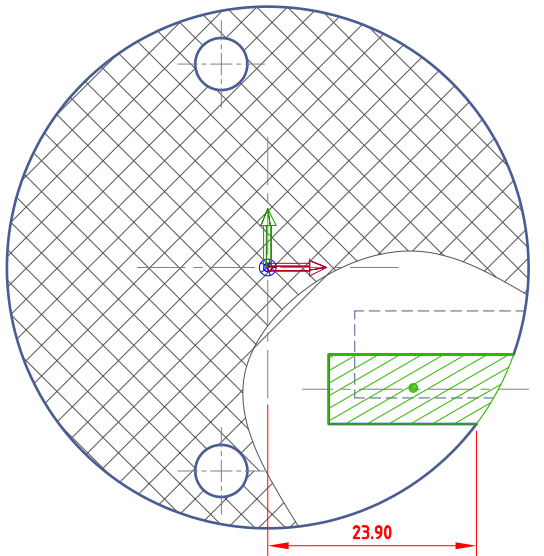
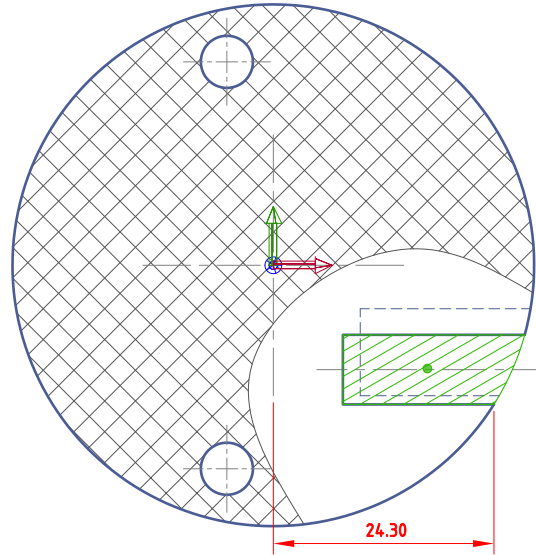
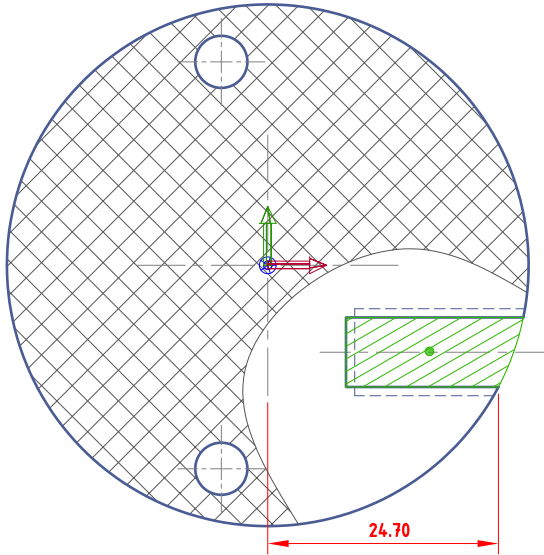


# Modifier on datum B

Pic. #3

Actual location of the slot (6x)

$\oplus$   $\varnothing 0.3 \text{ (M)}$  A B [BSC]

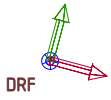


# Modifier on datum B

Pic. #4

Actual location of the slot (6x)

$\text{⊕}$   $\text{⌀}0.3\text{ (M)}$  **A** **B [BSC]**



X axis of DRF *not always parallel* to axis of the slot. Modifier needed.

First step:  
Alignment of two points

Second step:  
Rotation by basic angle

