

ASME Y14.5 - 2018

Figure 3-1 (RMB) and axis of related AME resulting from the datum reference portion of the feature control frame controlling position (true geometric counterpart axis)

Related AME (axis of related AME to datum plane A (true geometric counterpart of datum feature B))

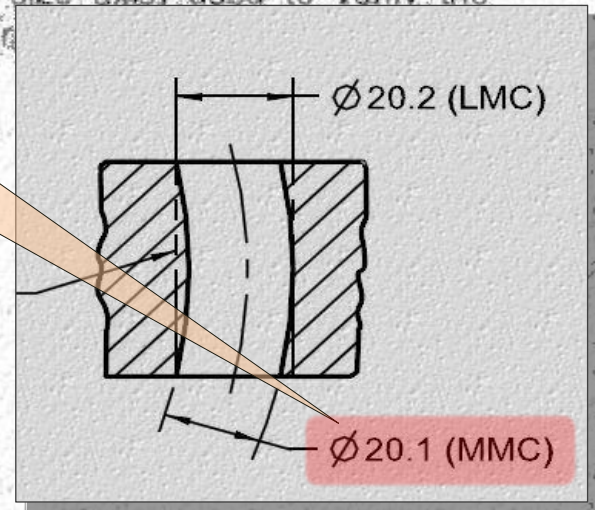
Unrelated AME (external)

Axis of unrelated AME (feature of size axis) used to verify the perpendicularity

Derived median line

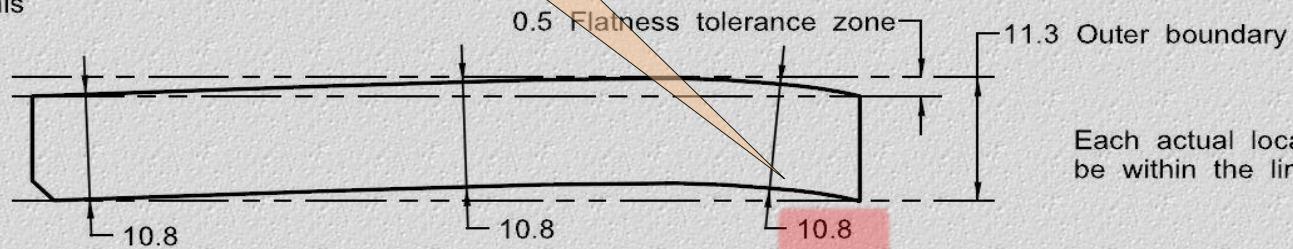
Is this actual local size?

Is this actual local size?



Actual local sizes

Means this

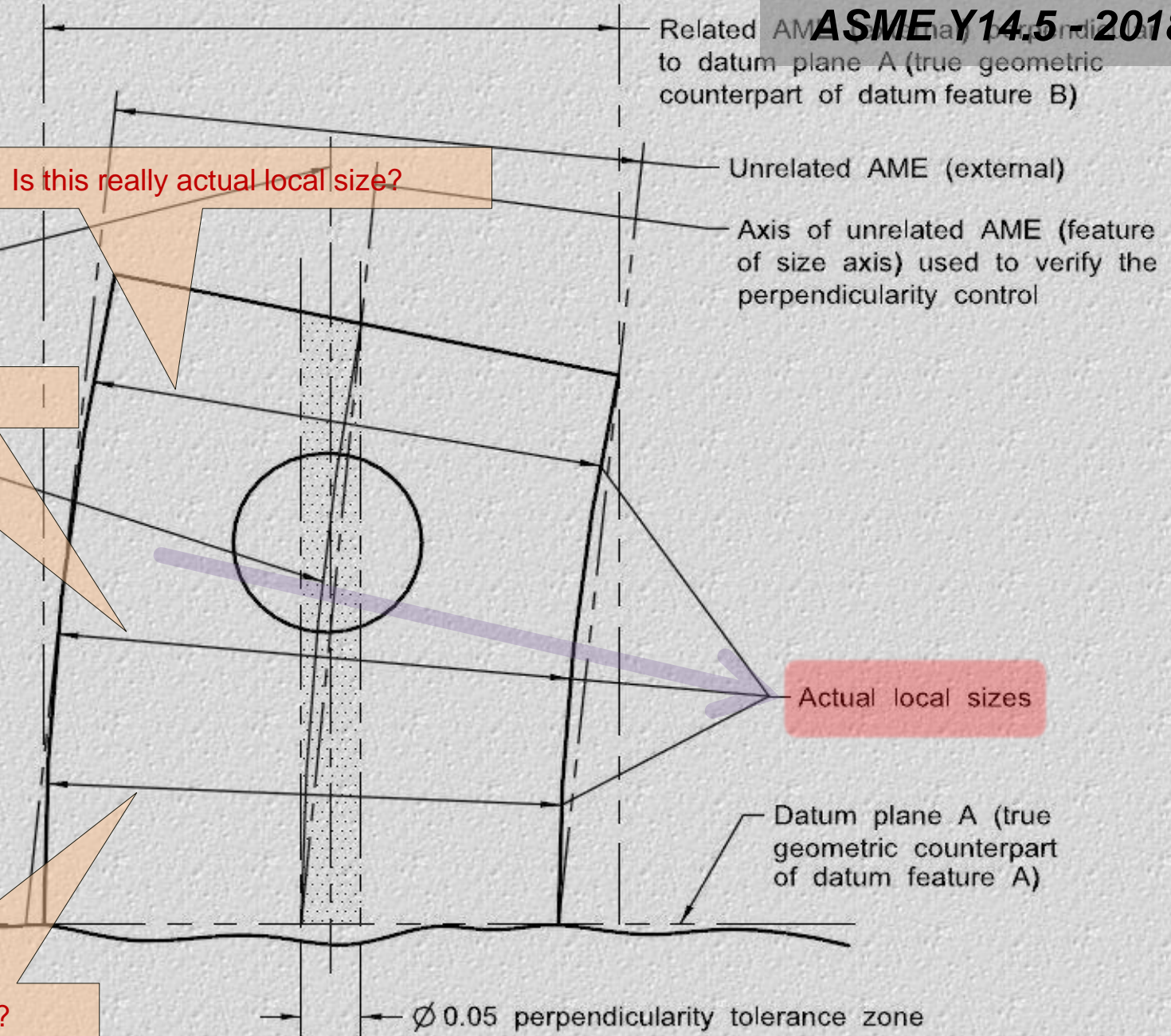


Each actual local size shall be within the limits of size.

3.57
3.29
3.22

Figure 3-1 (RMB) and axis of related AME resulting from the datum reference portion of the feature control frame controlling position (true geometric counterpart axis)

ASME Y14.5 - 2018



Is this really actual local size?

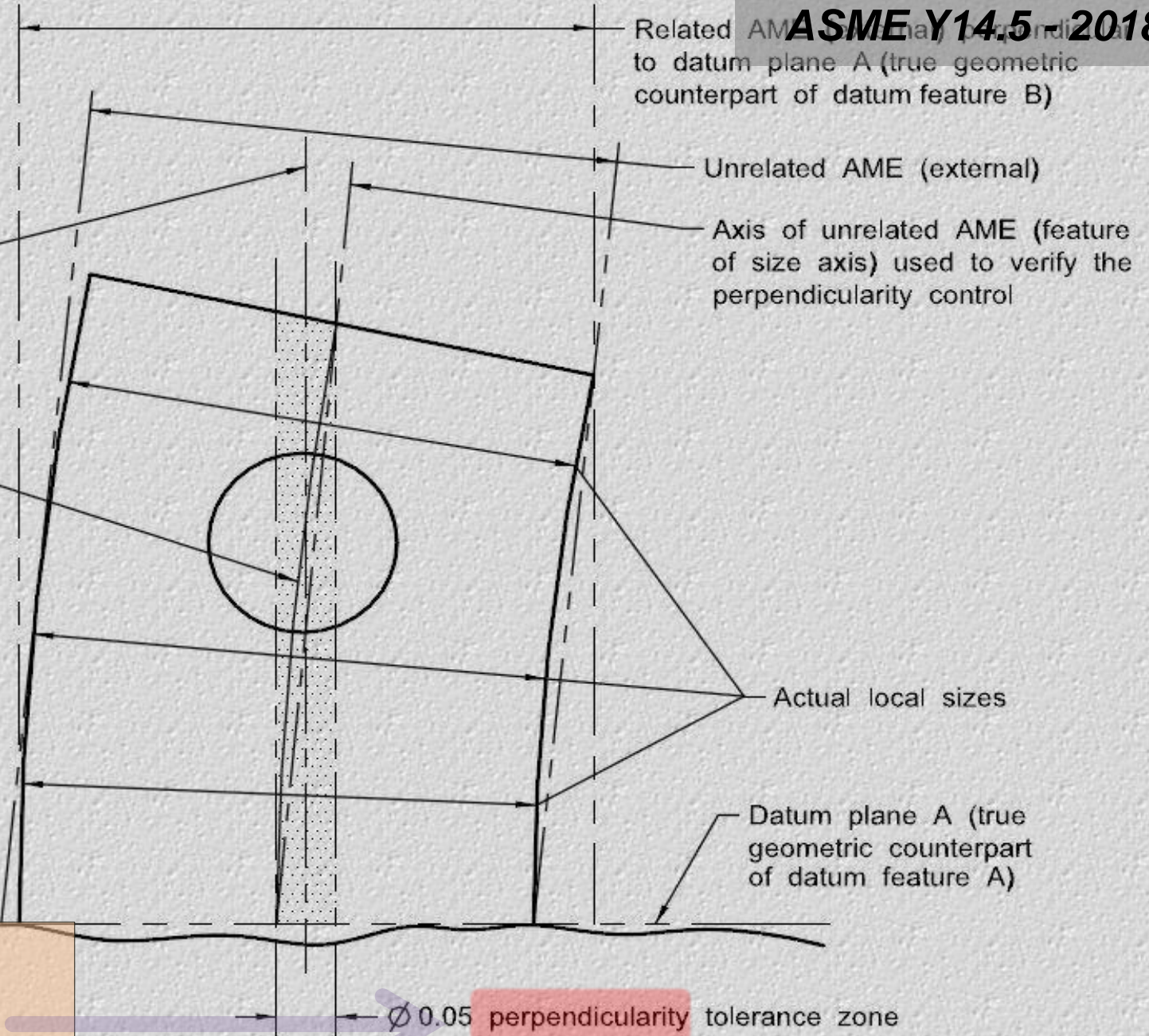
Is this really actual local size?

Is this really actual local size?

3.57
3.29
3.22

Figure 3-1 (RMB) and axis of related AME resulting from the datum reference portion of the feature control frame controlling position (true geometric counterpart axis)

ASME Y14.5 - 2018



Derived median line

Does the Derived Median Line really determine the result of perpendicularity?

3.57
3.29
3.22