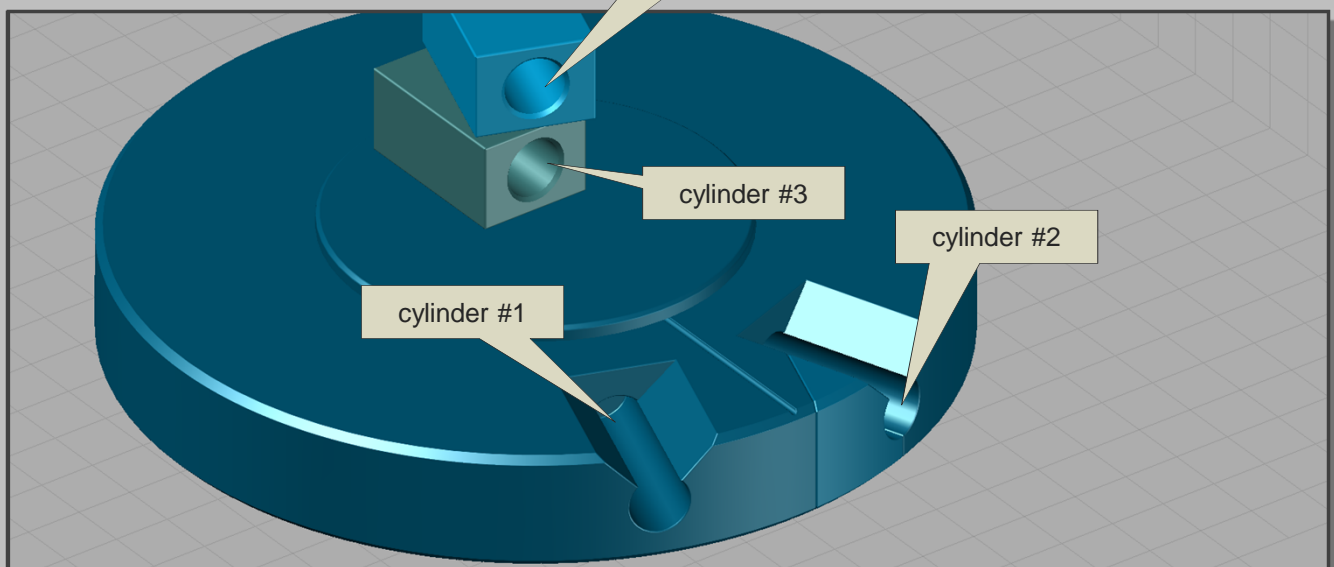
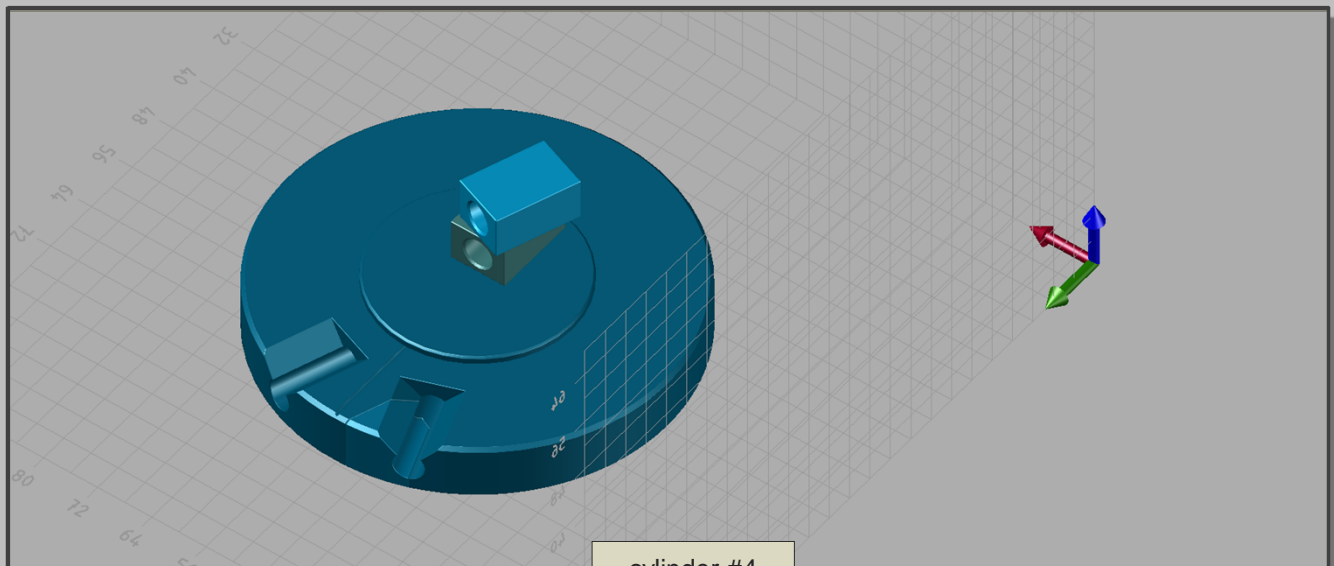
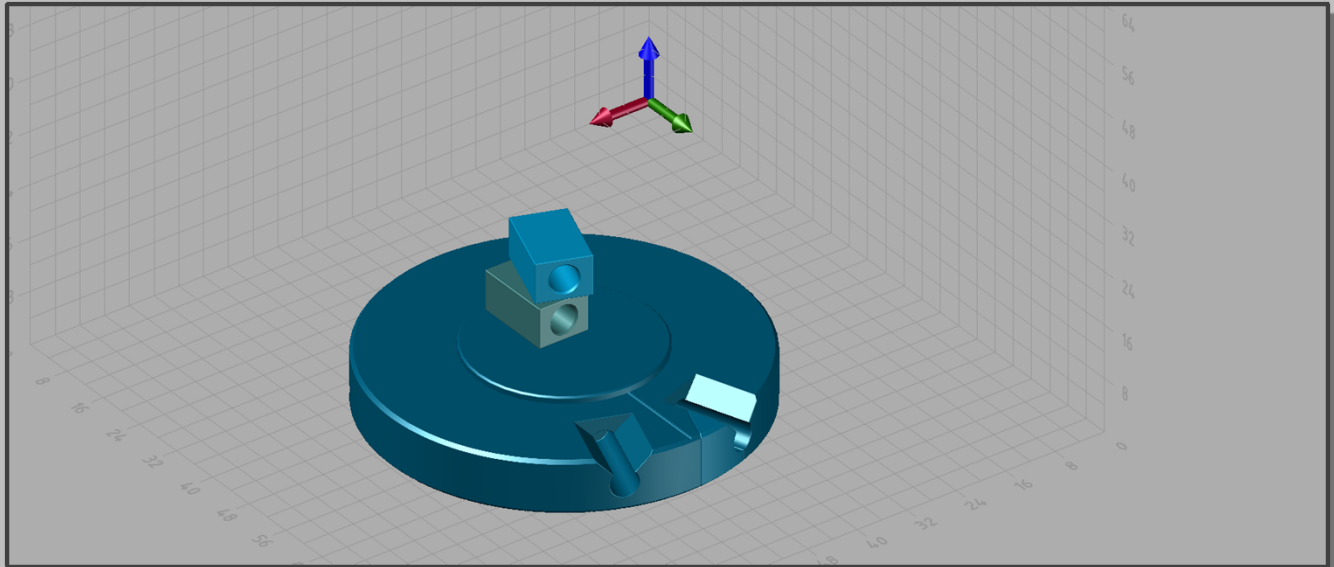
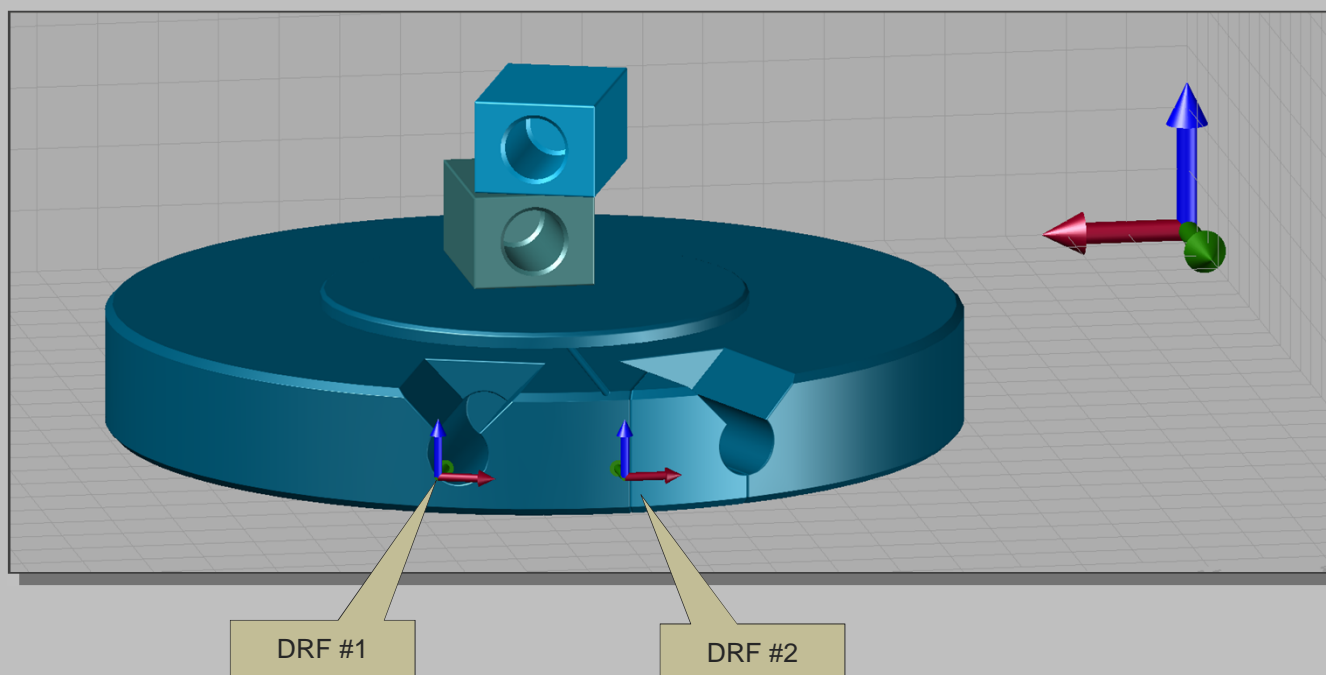
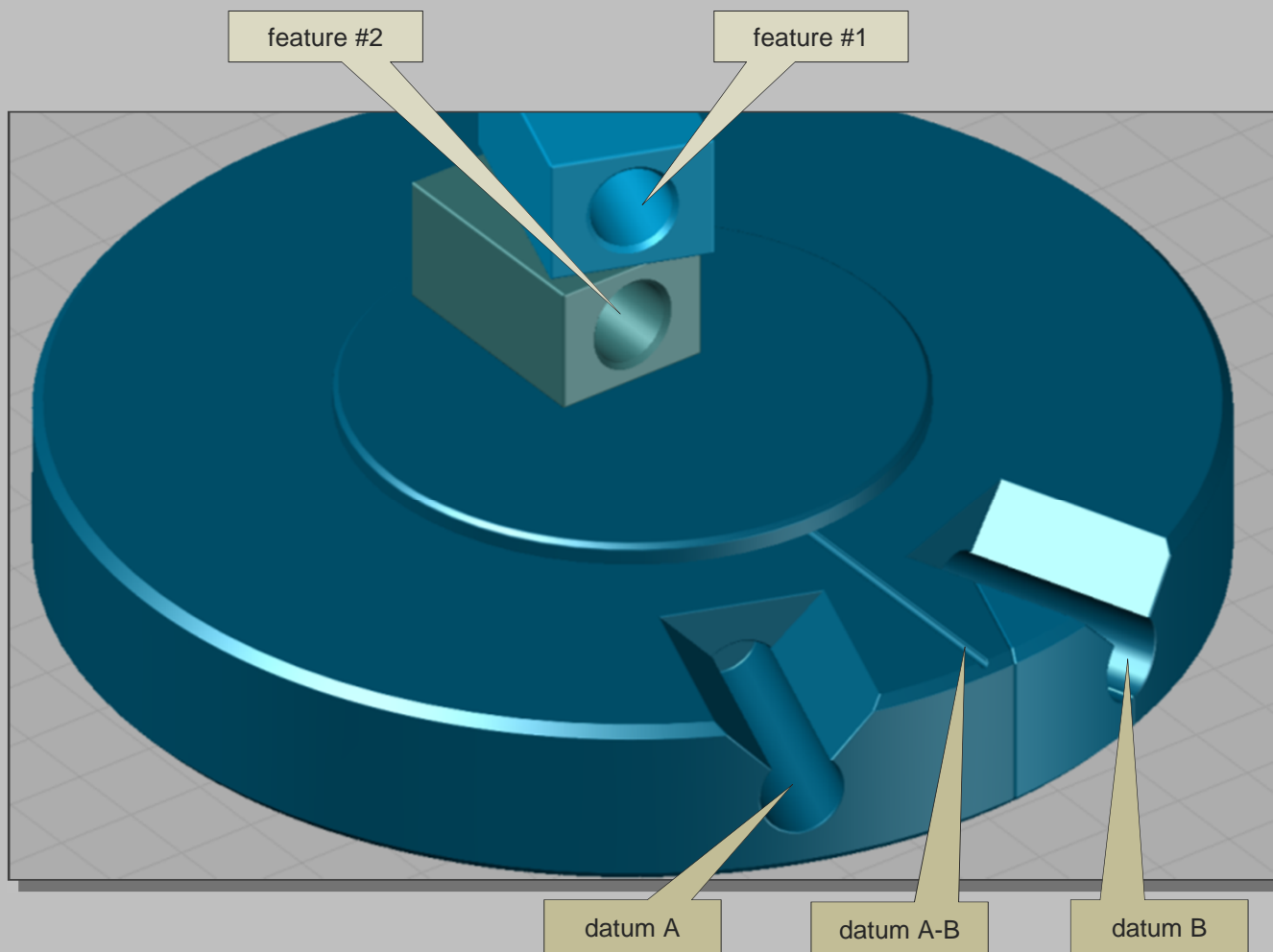


DRF AB and A-B



DRF AB and A-B

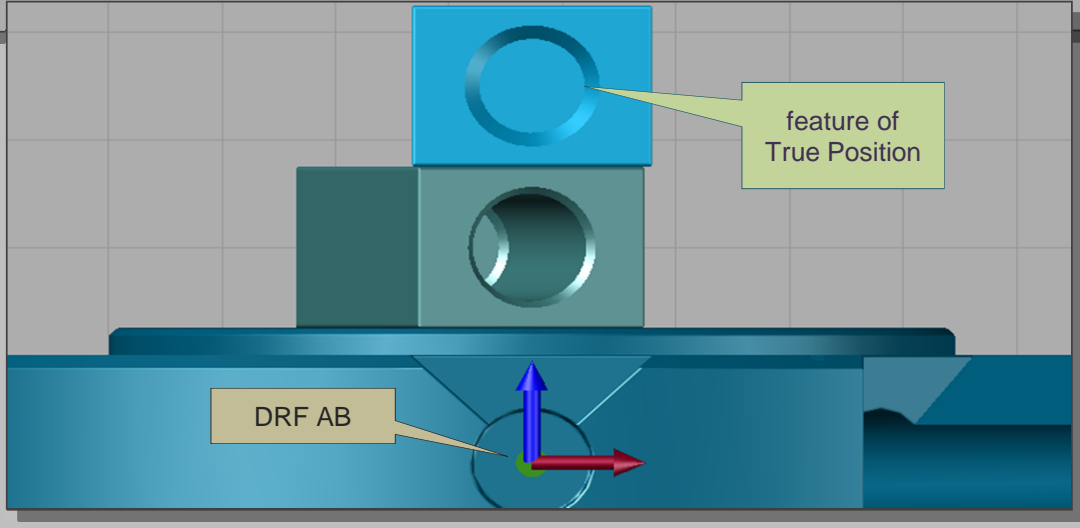
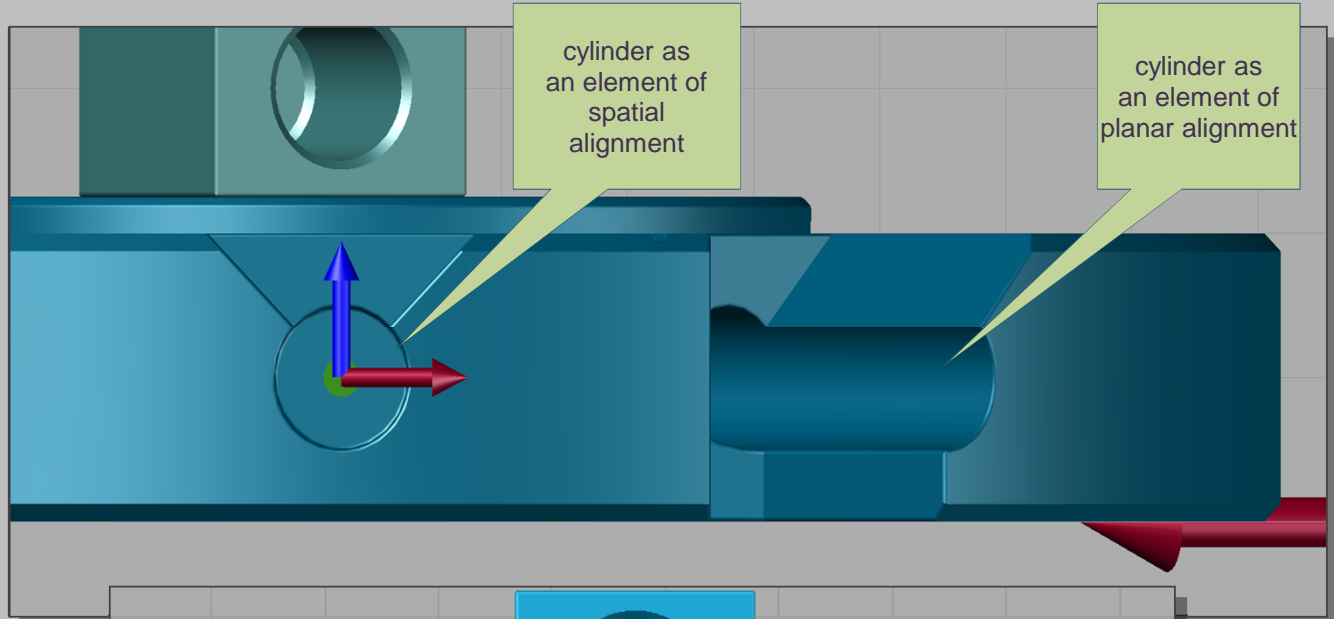
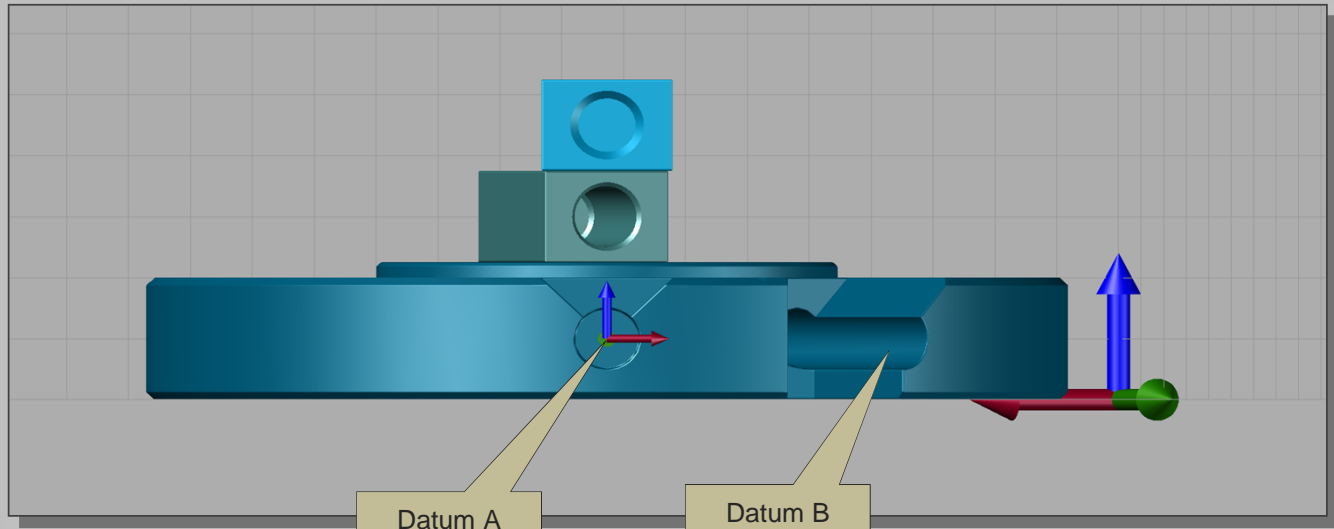


DRF AB and A-B


	0.12	A	B
--	------	---	---

datum A: cylinder

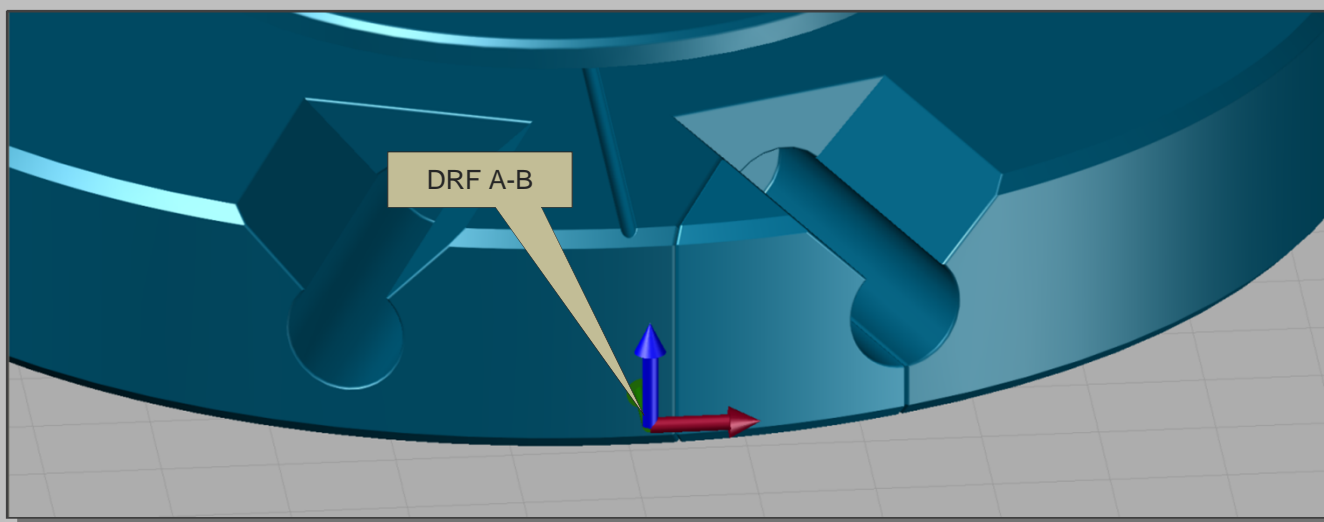
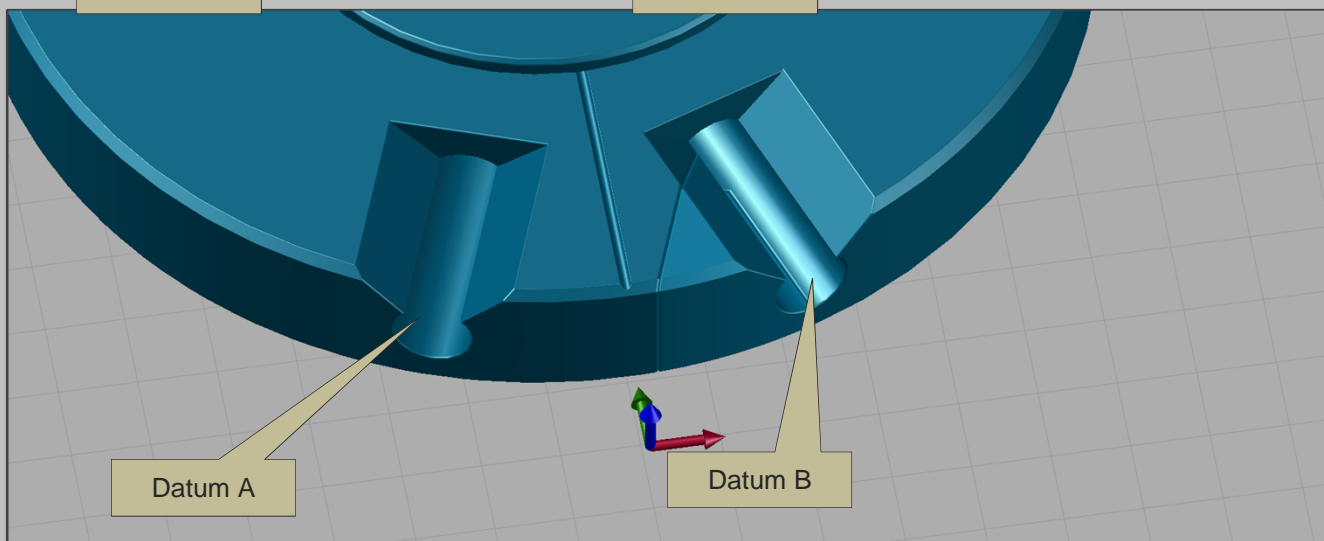
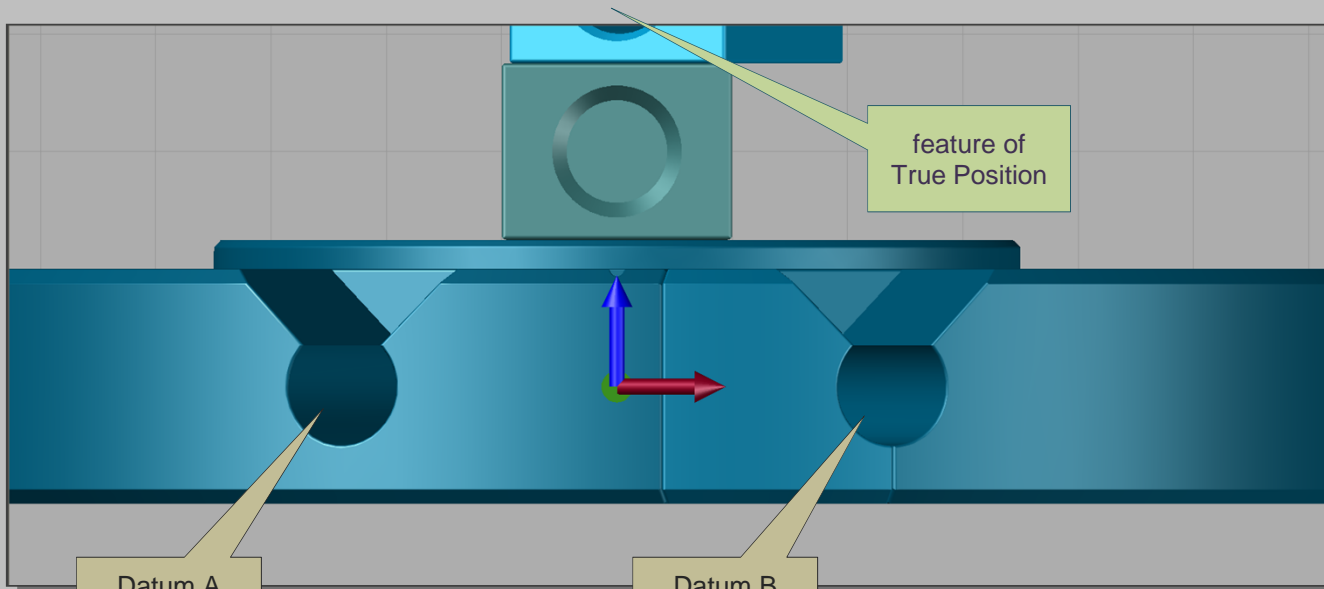
datum B: cylinder



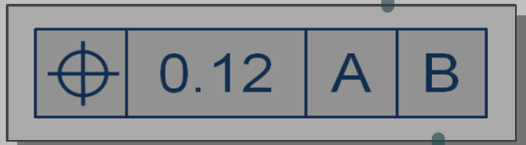
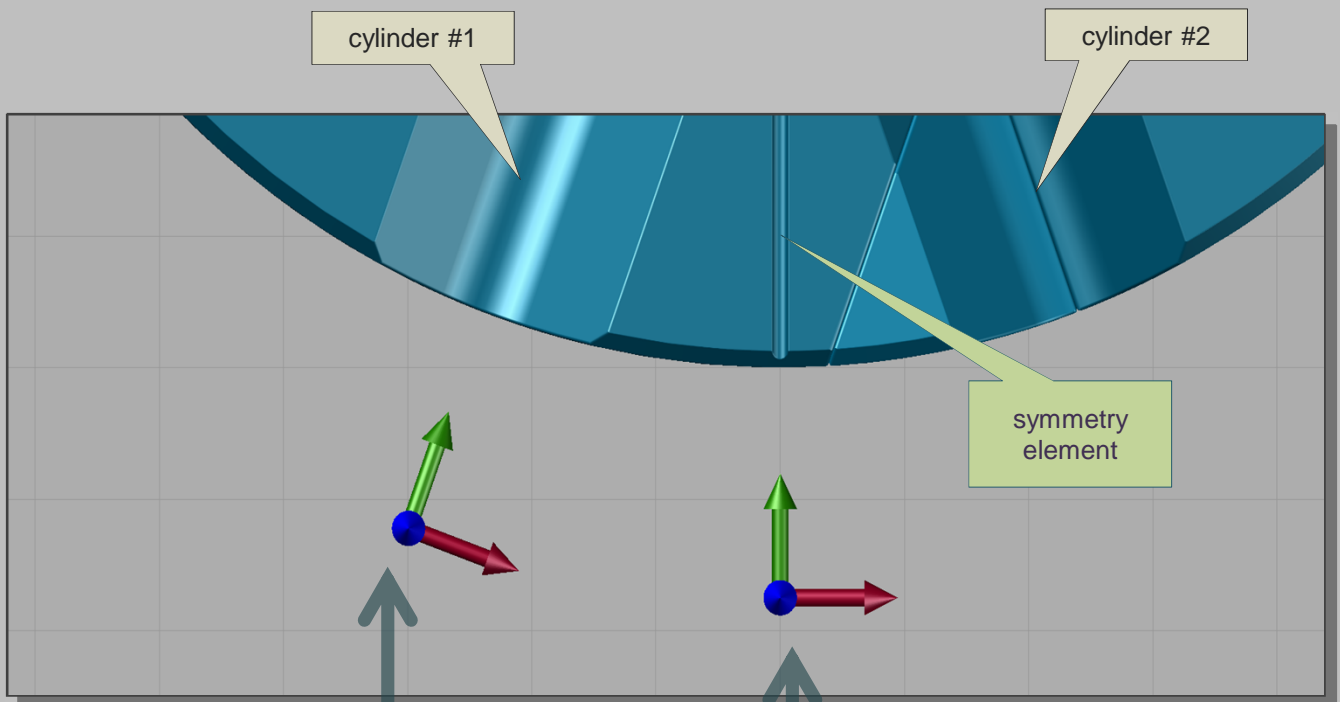
DRF AB and A-B

	Ø0.25	A - B
---	-------	-------

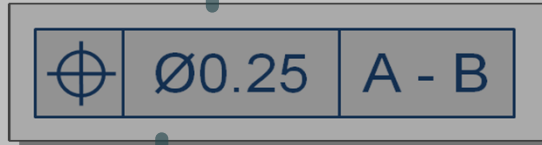
datum A-B: symmetry-cylinder



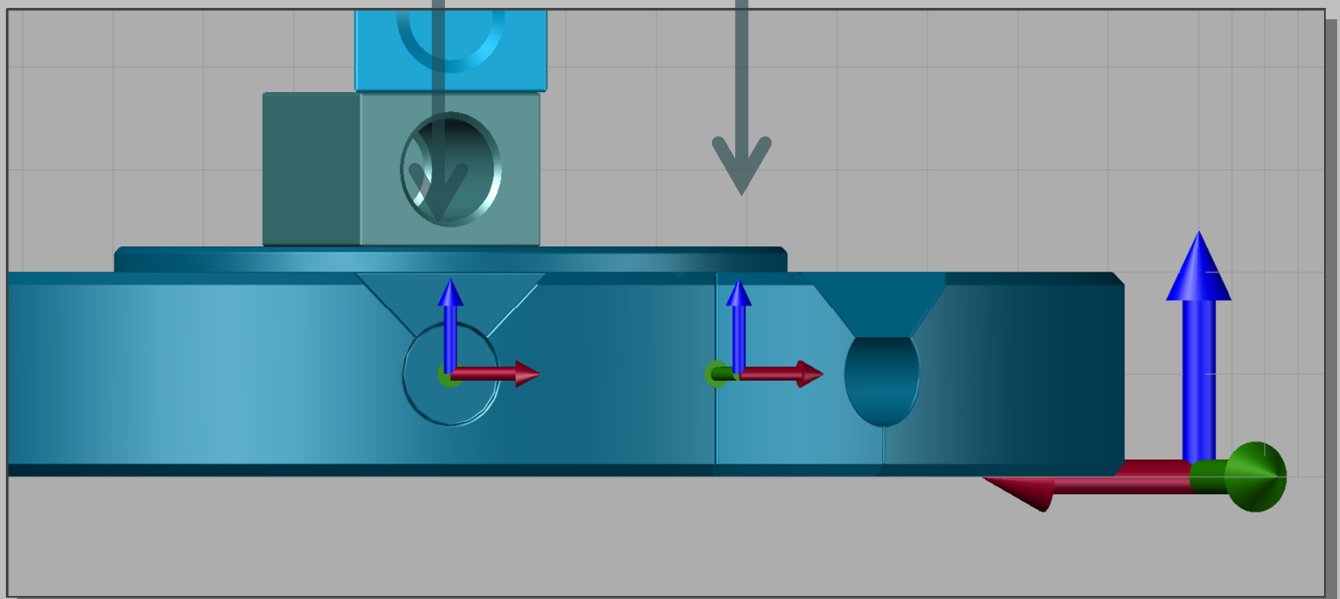
DRF AB and A-B



with order of precedence

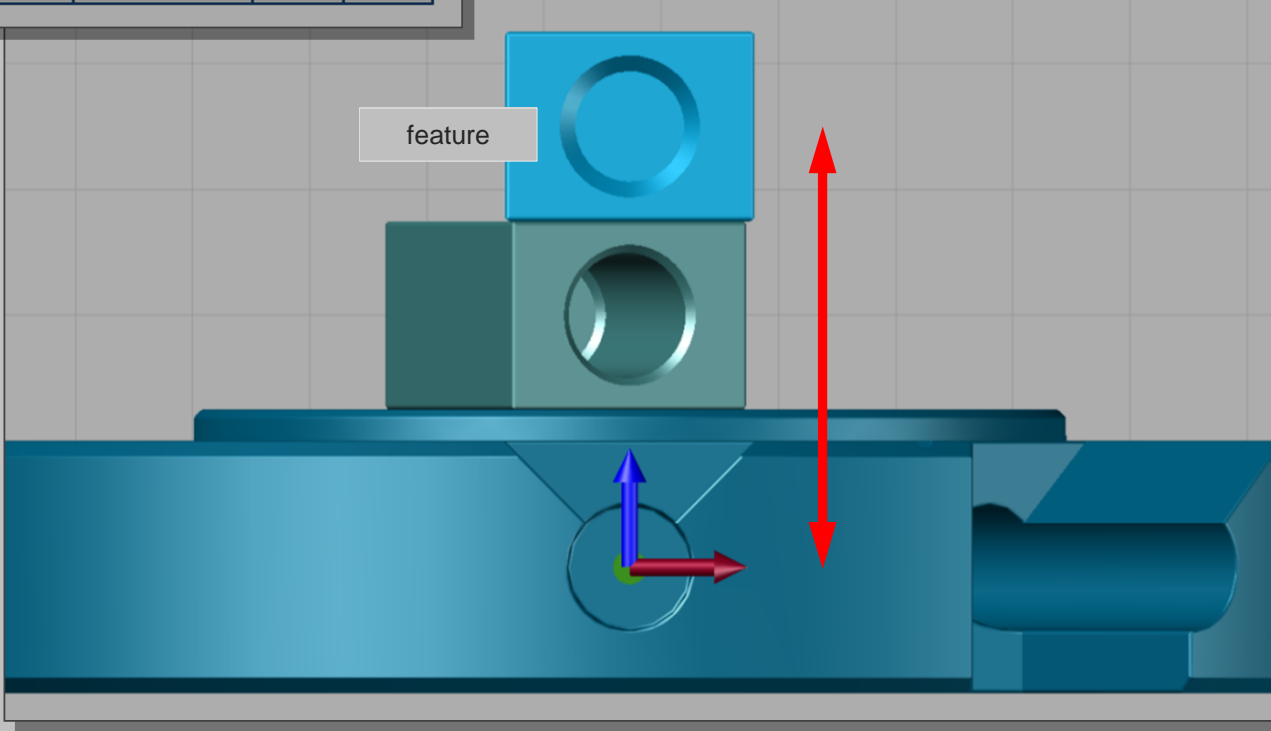


no order of precedence



DRF AB and A-B

\varnothing	0.12	A	B
---------------	------	---	---



\varnothing	$\varnothing 0.25$	A - B
---------------	--------------------	-------

