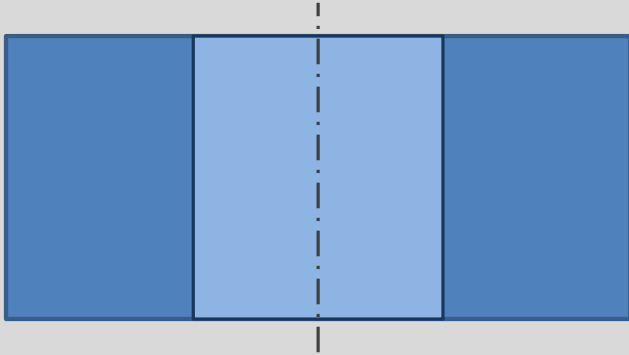


Dimensioning of datum C

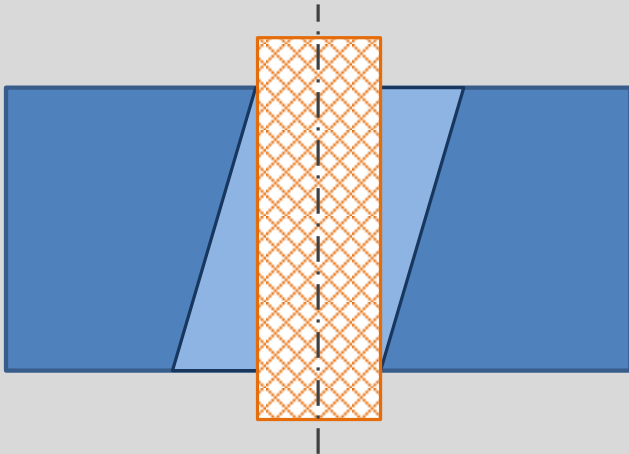
Diameter: 20 ± 0.1

Perpendicularity: 0.2



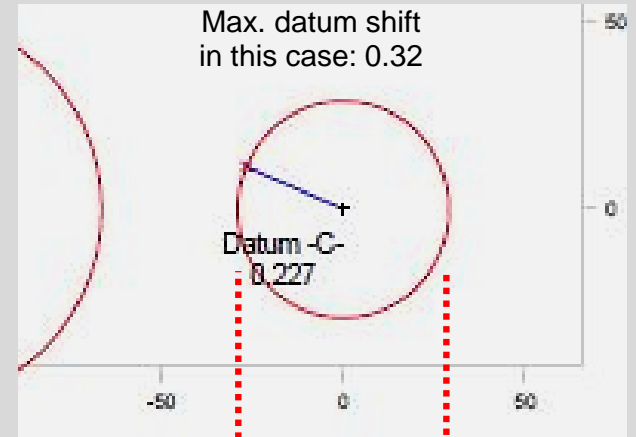
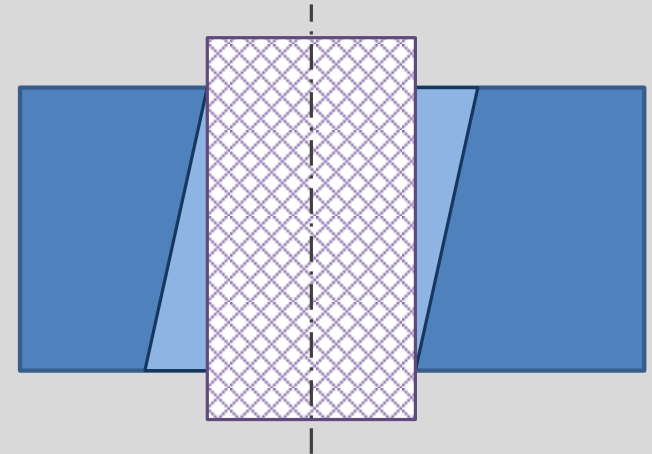
MMB of datum C: $19.9 - 0.2 = 19.70$

Maximum Material Boundary



AMB of datum C: $20.06 - 0.04 = 20.02$

Actual Material Boundary



Tolerance zone: $20.02 - 19.70 = 0.32$

