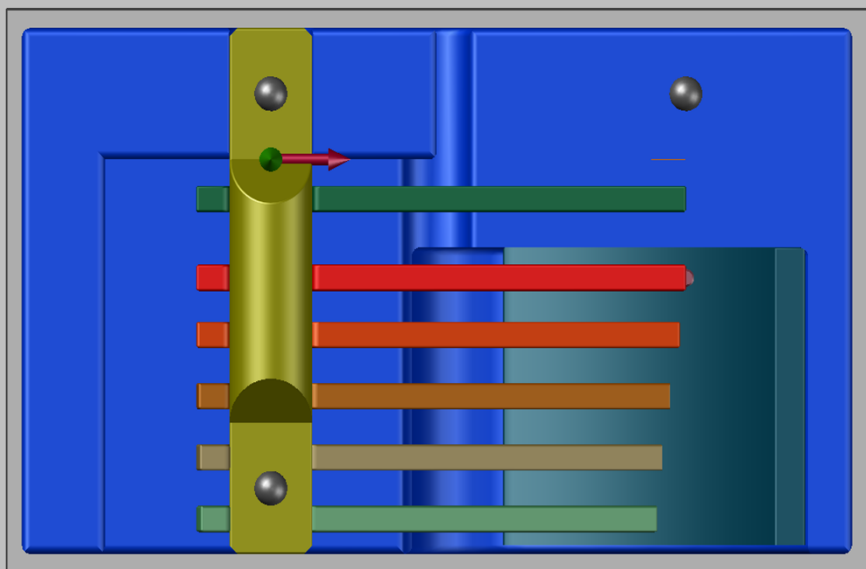
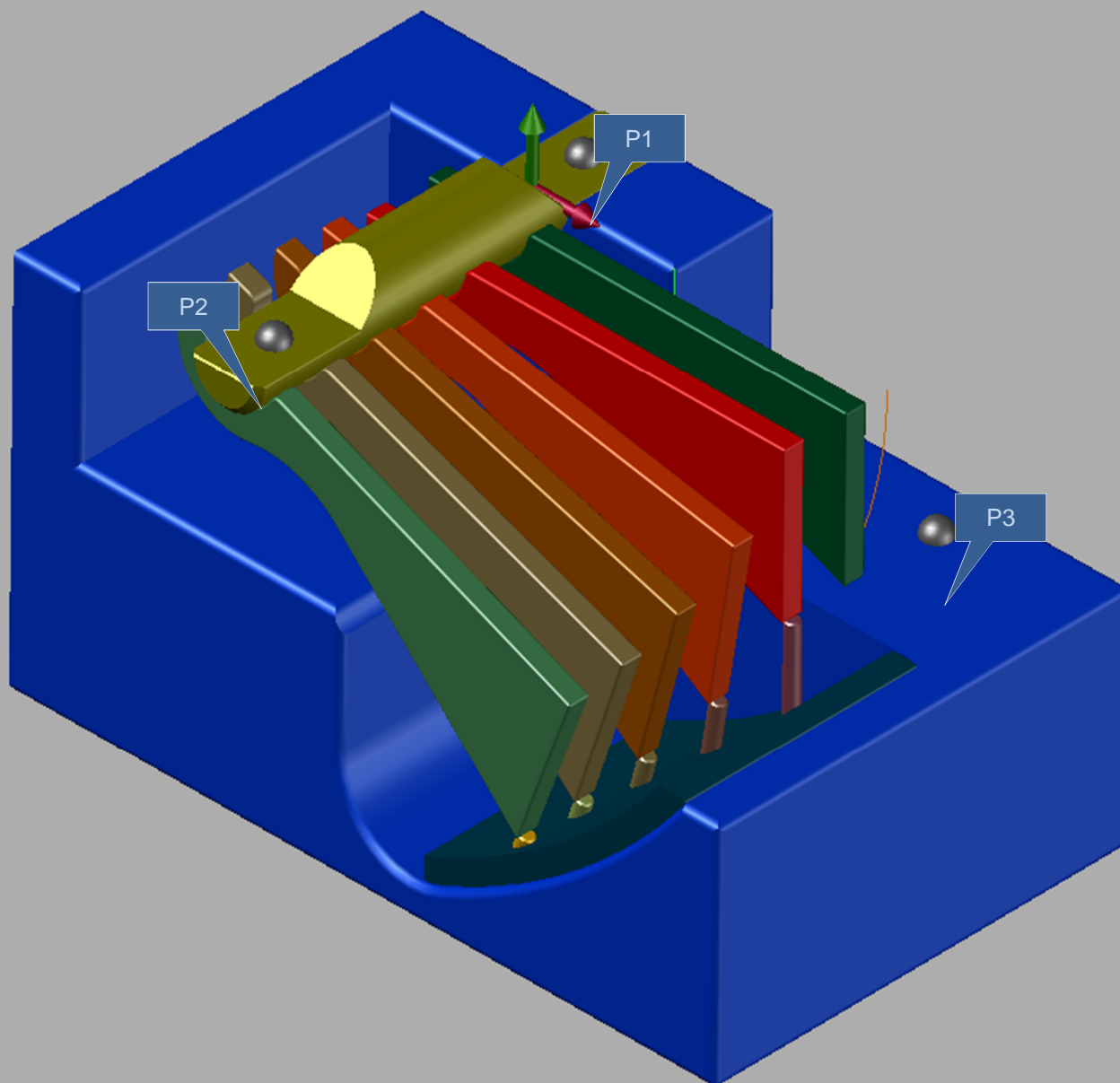
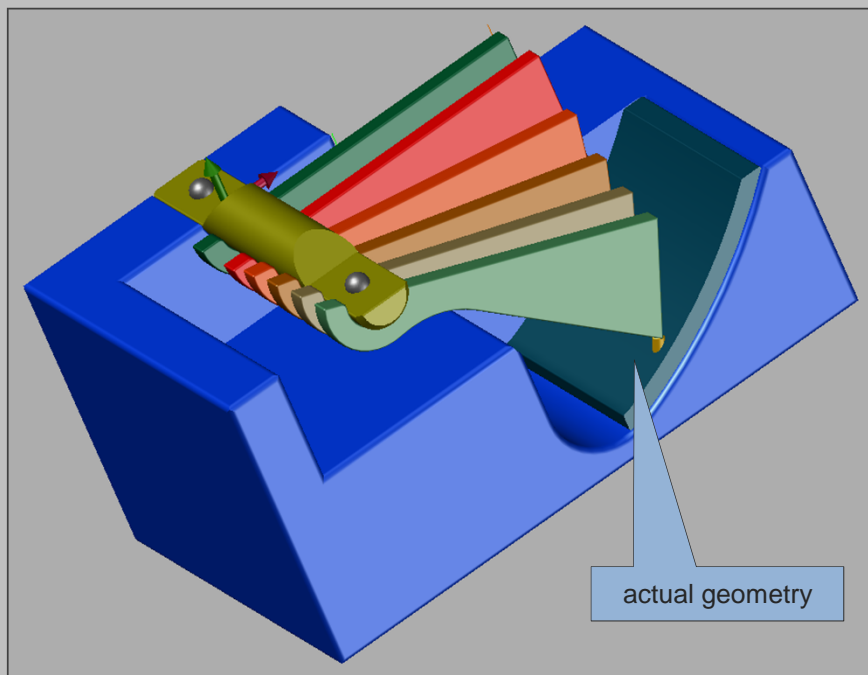
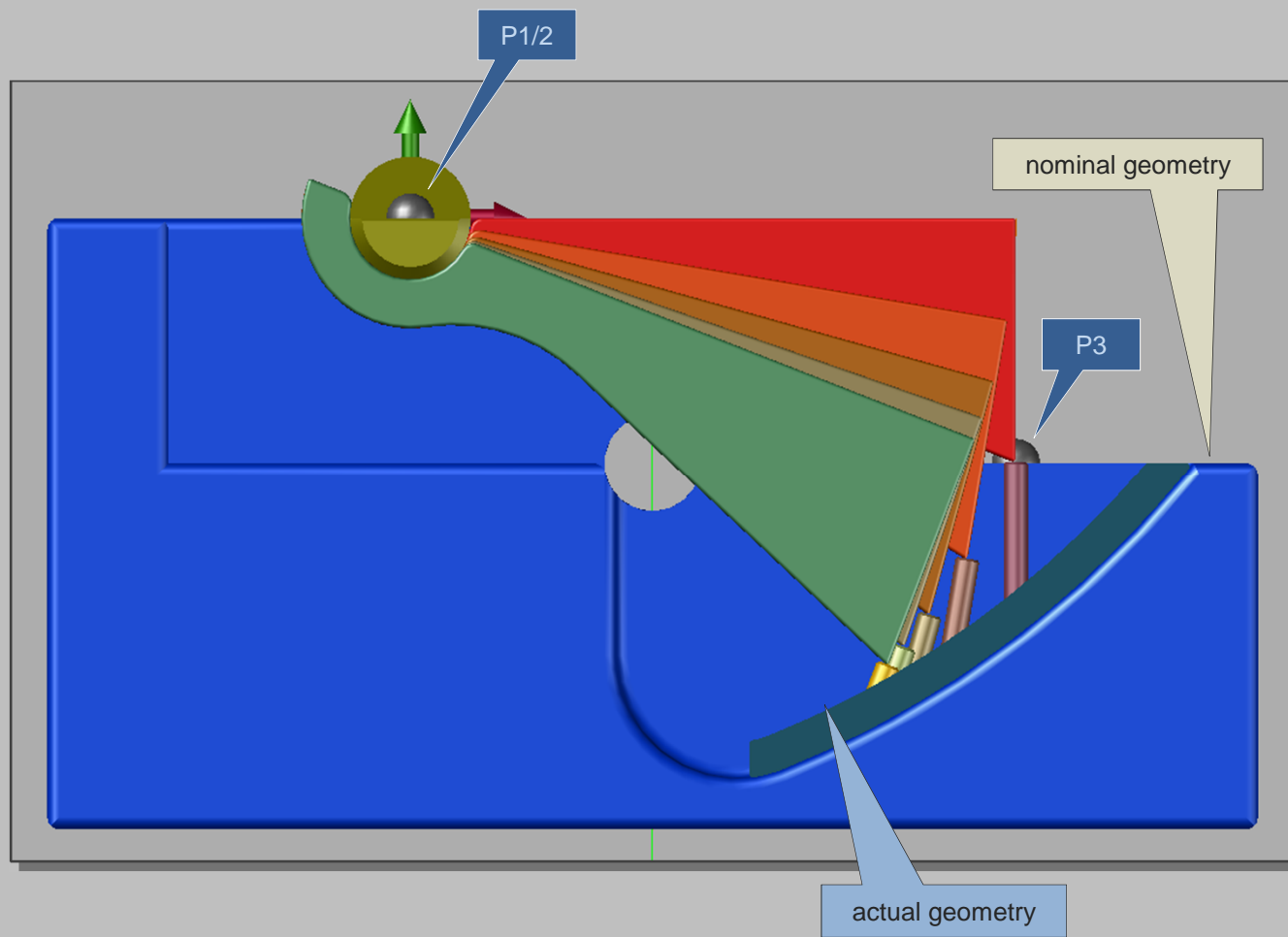


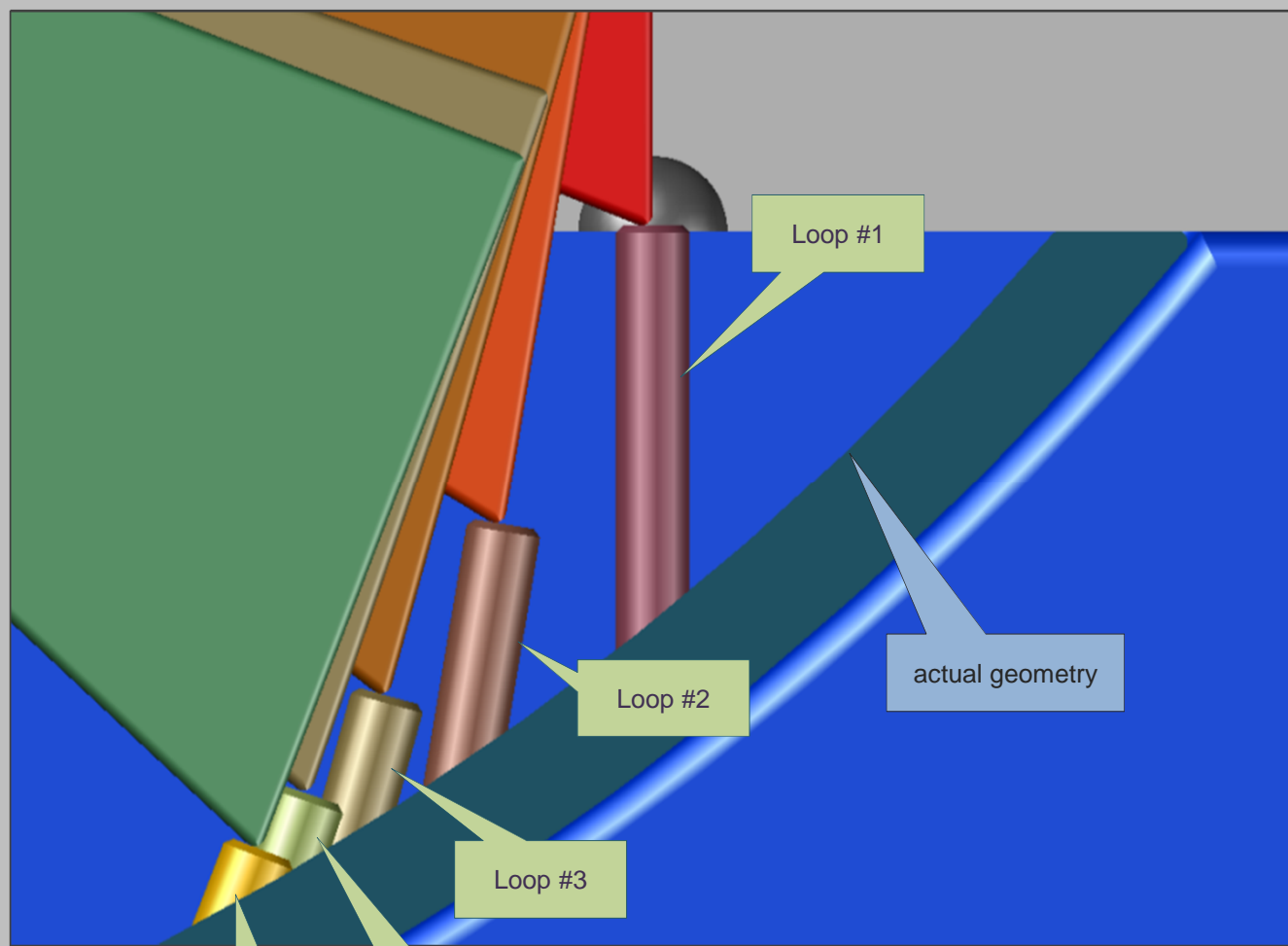
# RPS Alignment and A-Value



# RPS Alignment and A-Value



# RPS Alignment and A-Value



Loop #5

Loop #4

Loop #3

Loop #2

Loop #1

actual geometry

# RPS Alignment and A-Value

