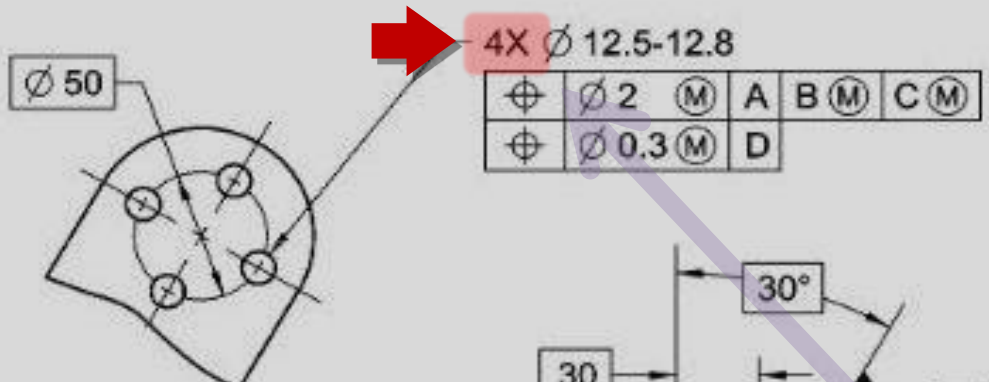
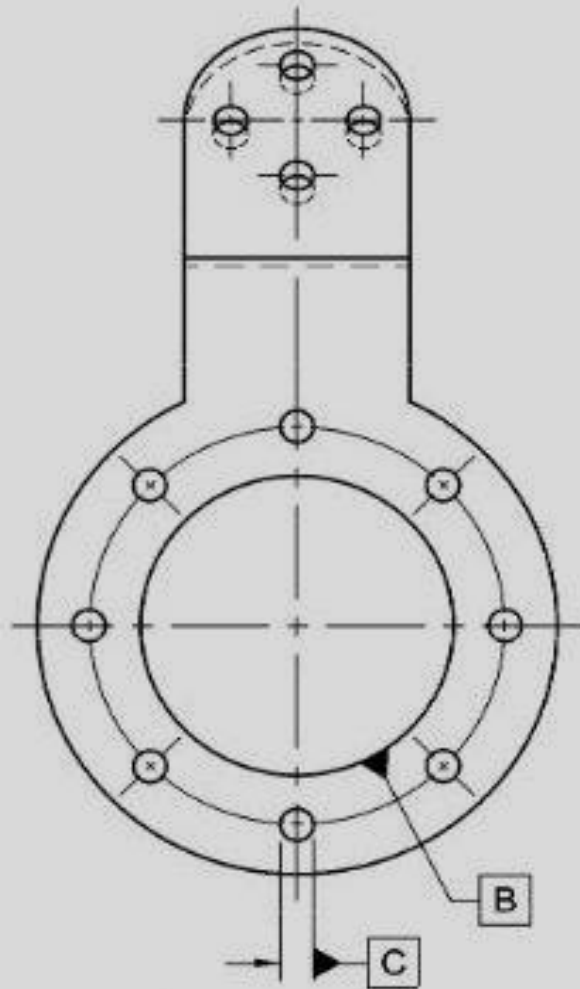


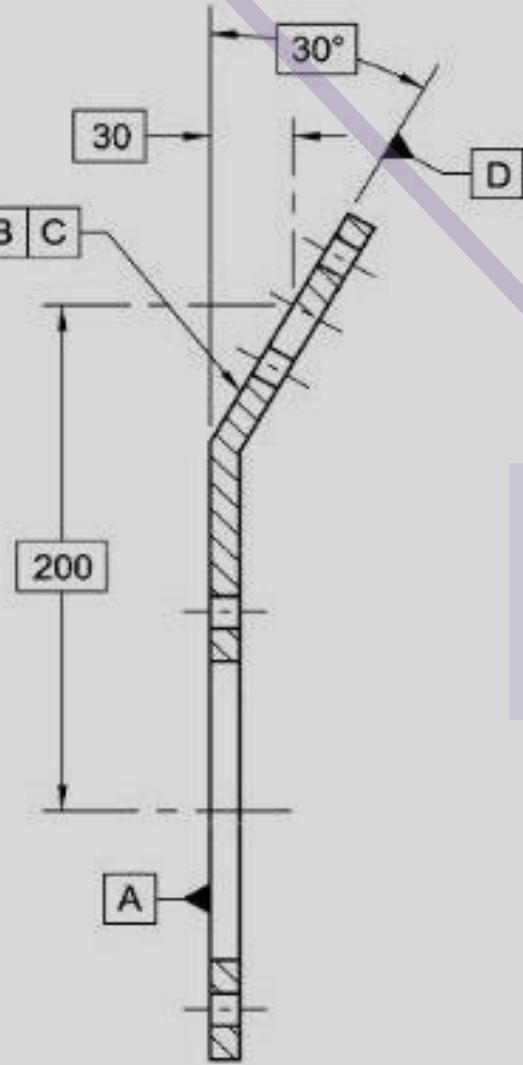
Pic 7-55



4X Ø 12.5-12.8

$\oplus$	$\varnothing 2$	(M)	A	B	(M)	C	(M)
$\oplus$	$\varnothing 0.3$	(M)	D				

$\frac{1}{2}$  1 A B C



So, what is the meaning of 4X regarding the upper tier ?