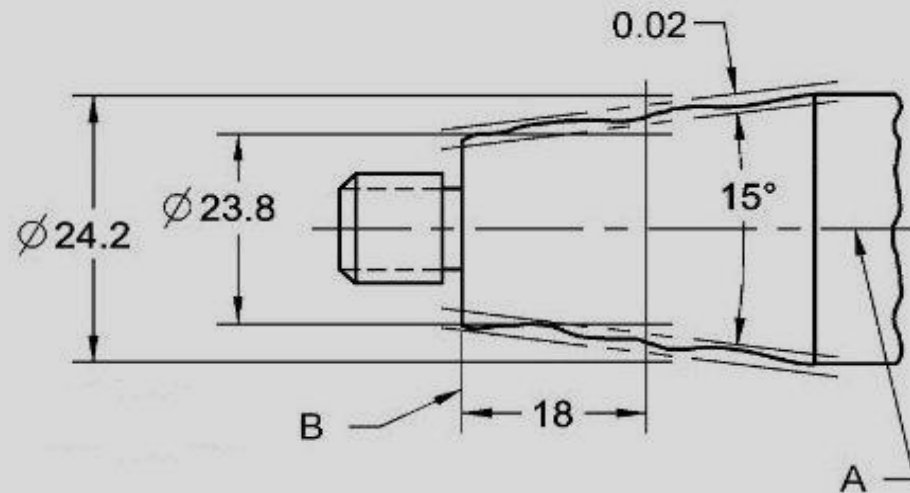
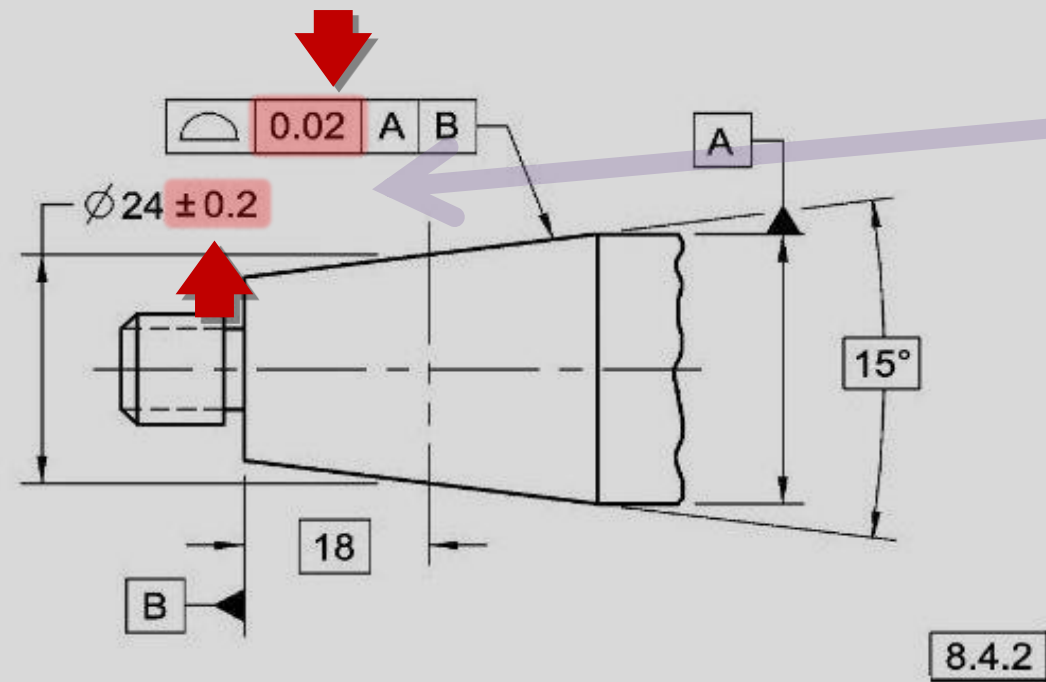


Pic 8-18



So, what is the meaning of ± 0.2 ?