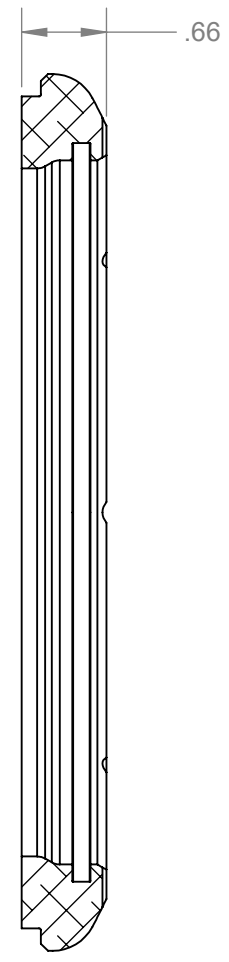


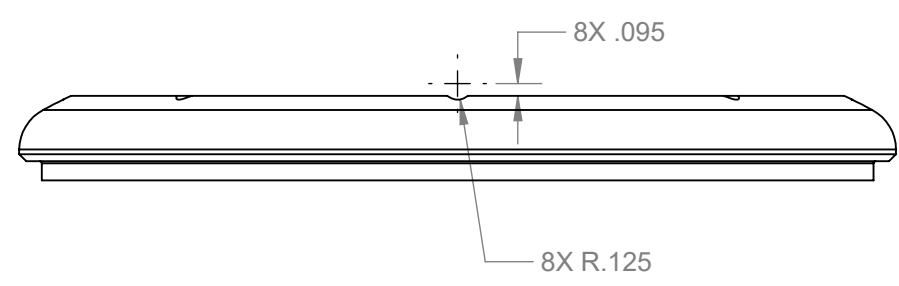
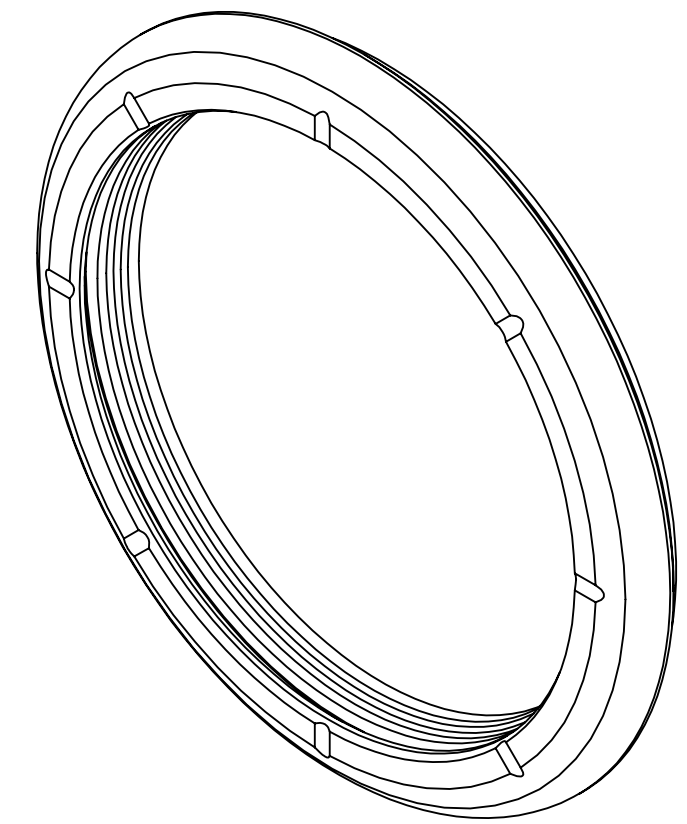
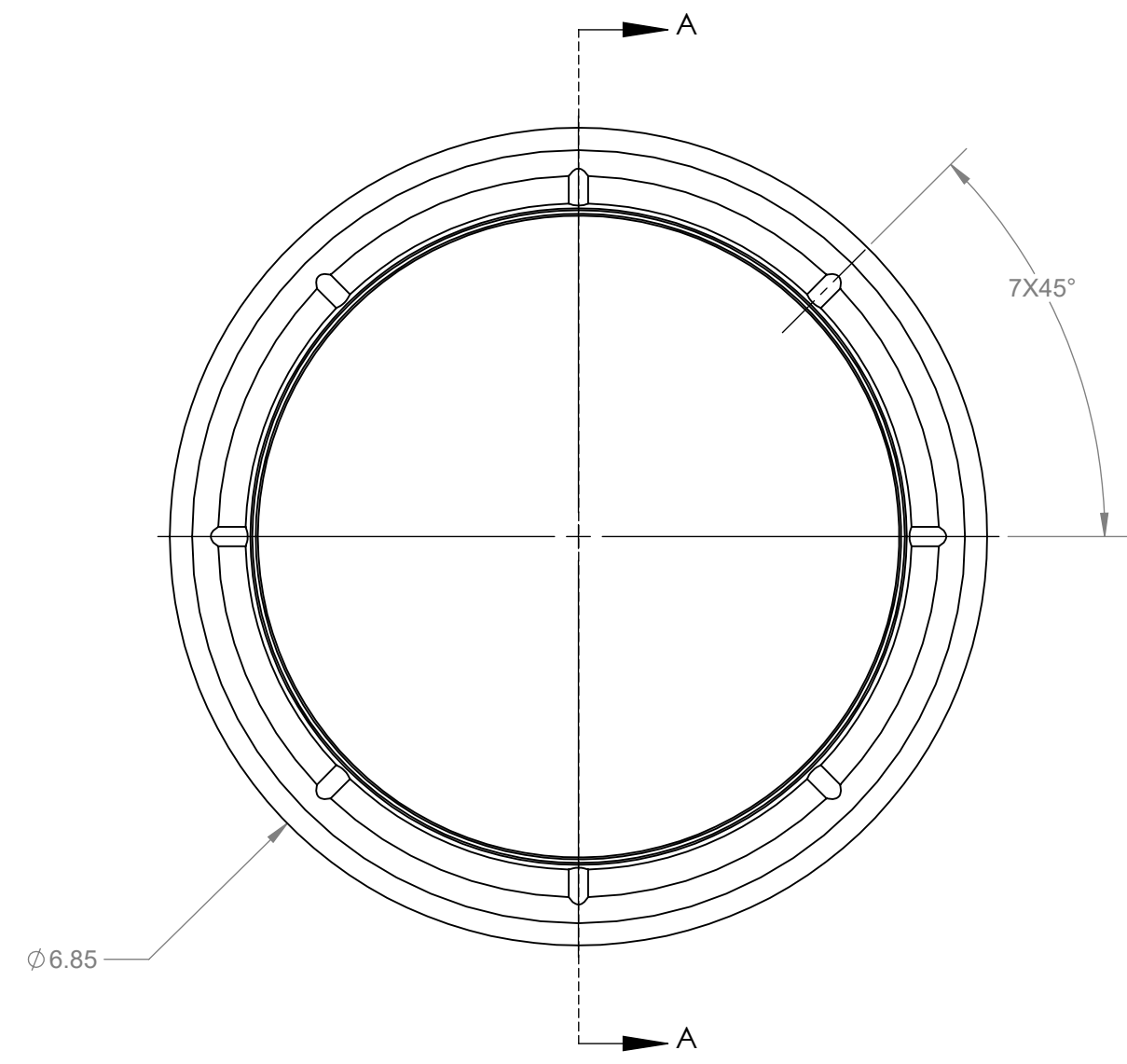
8 7 6 5 4 3 2 1

D
C
B
A

D
C
B
A



SECTION A-A
SCALE 1 : 1.5



PROPRIETARY AND CONFIDENTIAL		NAME	DATE	TITLE:
THE INFORMATION CONTAINED IN THIS DRAWING IS THE SOLE PROPERTY OF ANY REPRODUCTION IN PART OR AS A WHOLE WITHOUT THE WRITTEN PERMISSION OF APPLIED FUSION LLC IS PROHIBITED.		DRAWN	Henry.L 8/29/2019	
THIRD ANGLE PROJECTION		CHECKED		
INTERPRET GEOMETRIC TOLERANCING PER: ANSI/ASME Y14.5M-1994		ENG APPR.		
MATERIAL OFE C101		MFG APPR.		SIZE DWG. NO. REV B Angle Question V1.0 A
FINISH 63		Q.A.		
DO NOT SCALE DRAWING		UNLESS OTHERWISE SPECIFIED: DIMENSIONS ARE IN INCHES TOLERANCES: ANGULAR: ±0.50 DEG ONE PLACE DECIMAL ±0.020 TWO PLACE DECIMAL ±0.010 THREE PLACE DECIMAL ±0.005 REMOVE BURRS AND SHARP EDGES.		
		SCALE: 1:4	WEIGHT:	SHEET 1 OF 1

8 7 6 5 4 3 2 1