

Figure 2-4 Examples of Surface Attributes Leading to Variations in the Derived Median Line

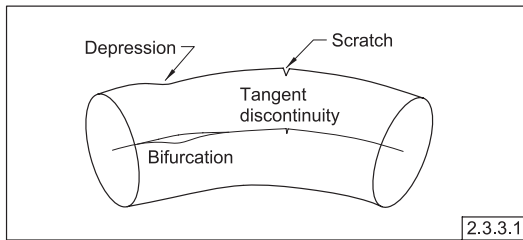


Figure 2-5 The Cutting Plane at a Point on a Local Size Spine, and Some of the Evaluation Lines in That Cutting Plane

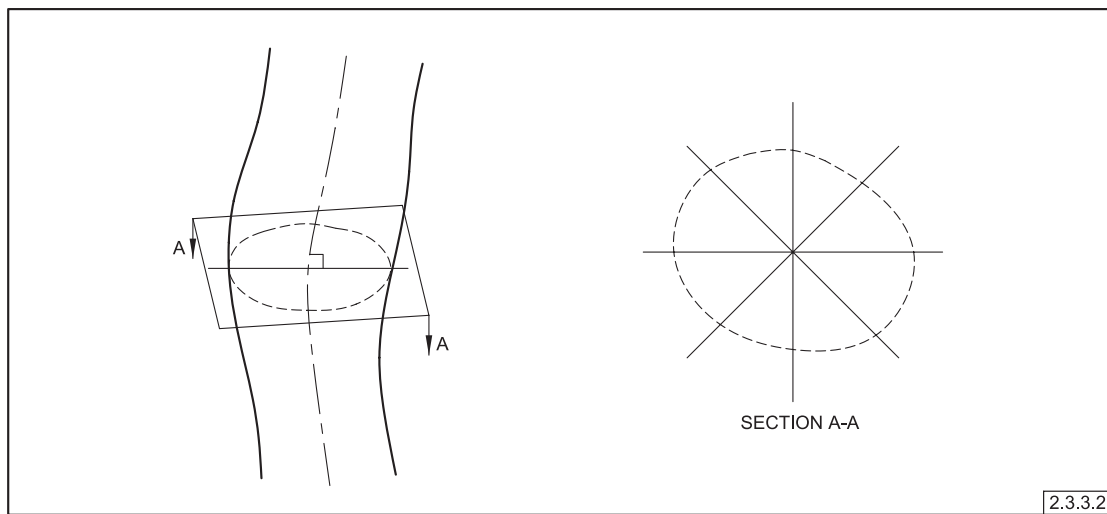


Figure E-3 A Line Which is Tangent Continuous (Left) and Not (Right)



1.5.26 Spine, Local Size

spine, local size: a tangent-continuous spine from which cross sections are determined for actual local size determination.