

②

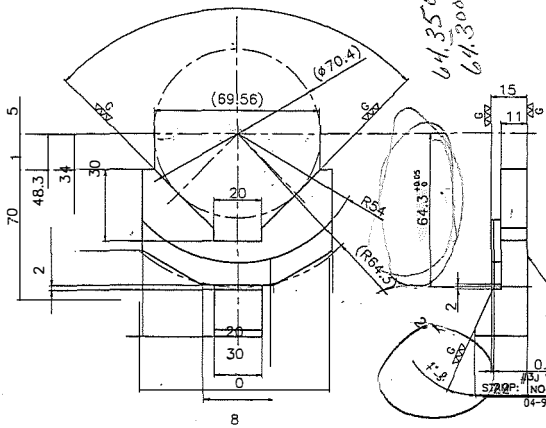


HARDENING HRC58-63  
SUBZERO TREATMENT

TAKE NO INDICATED SHARP CORNER CO. 5 CHAMFER

指示ナキ角部ハCO. 5ノコト

90° 0'0"



0.95  
#3J V6 C/W 103511  
S720P: NO CO R64.3/24  
04-9 TOSOK